

HazCor Optima 1110/ss



FEATURES

- The only stainless steel HID solution available.
- Maintenance friendly removable ballast tray.
- Tool less entry via four stainless steel over the center cam latches.
- Tool less lamp replacement.
- High temperature silicone gaskets provide a watertight seal.
- Ceiling, pendant, stanchion or wall mount types.
- Field replaceable globe and gaskets.
- Choice of angled or shallow dome reflectors.

APPLICATIONS

- Mid & Low bay
- Hazardous locations
- Marine & watertight requirements
- Oil and gas exploration and production
- Petrochemical facilities
- Waste water treatment plant
- Pulp and paper production
- Aluminum processing facilities
- Salt and potash mines
- Pharmaceutical & additives formulation & processing
- Corrosive environments

APPROVALS

- Class I Division 2 Groups A, B, C & D
- Class I Zone 2 Groups IIA, IIB, IIB + H2 & IIC
- Type 4X
- Conforms to IP66
- Marine Outside Type Saltwater
- ABS

STANDARDS

- UL 844 - Hazardous Locations
- UL 1598A - Luminaires for Marine Vessels
- CSA - C22.2 No. 137-M1981

TECHNICAL SPECIFICATIONS

HOUSING AND MOUNTS

Type 316 stainless steel.

GLOBE RETAINING RING

Stainless steel.

LATCHES

Stainless steel, over the center cam.

GLOBE

Internally fluted glass. Clear globe optional.

REFLECTORS

Optional 30° angled or shallow dome acrylonitrile butadiene styrene (ABS), gloss white.

MOUNTINGS

Ceiling, pendant, stanchion and wall.

ENTRIES

3/4" or 1" NPT outlets, stanchion 1/4" or 1/2".

GASKETS

One piece silicone.

GUARD

Optional stainless steel guard.

BALLAST

120/208/240/277v 60Hz multi-tap ballast or 480v 60Hz. 50Hz ballasts optional.

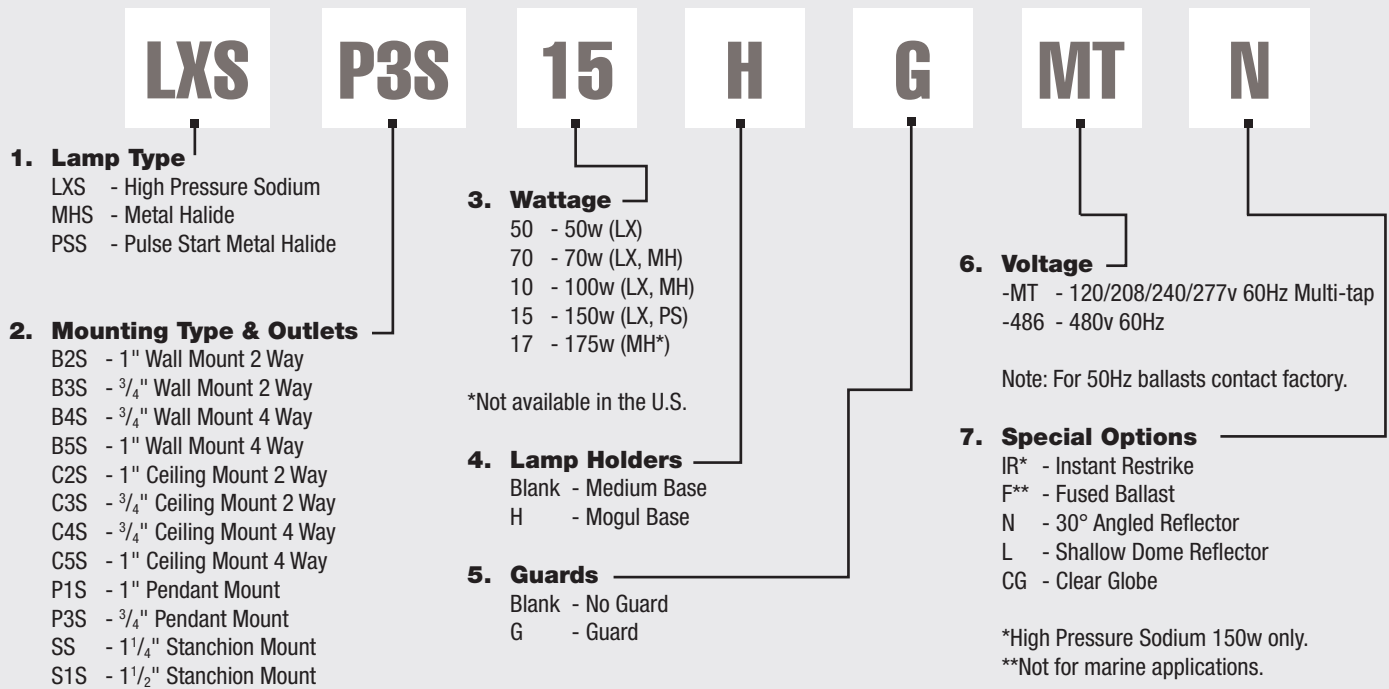
LAMP TYPE

Luminaires are supplied without lamps.

Lamp Type/ Mogul Base	Wattage	ANSI Code	T-Code	Ambient Temp	Supply Wire Temp
HPS (MED)	50	S68	T1	25°C	90°C
HPS (MED)	70	S62	T1	25°C	90°C
HPS (MED)	100	S54	T1	25°C	90°C
HPS (MED)	150	S55	T1	25°C	90°C
HPS (MOG)	50	S68	T3	40°C	90°C
HPS (MOG)	70	S62	T3	40°C	90°C
HPS (MOG)	100	S54	T2B	40°C	90°C
HPS (MOG)	150	S55	T2B	40°C	90°C
MH (MED)	70	M98	T1	25°C	110°C
MH (MED)	100	M90	T1	25°C	110°C
MH (MED)	175*	M57	T1	25°C	110°C
MH (MOG)	70	M98	T2A	25°C	110°C
MH (MOG)	100	M90	T2A	25°C	110°C
MH (MOG)	175*	M57	T2A	25°C	110°C
PSMH (MOG)	150	M102	T2A	25°C	110°C

*Not available in the U.S.

ORDERING REFERENCES

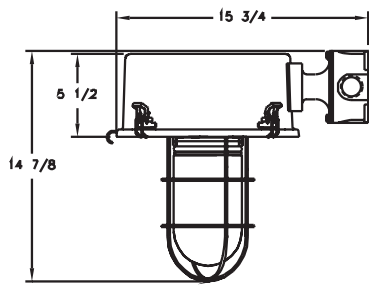


SPARE PARTS

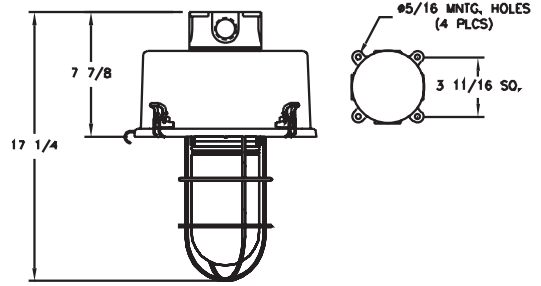
Part No.	Description
INX5118	MULTI TAP BALLAST, High Pressure Sodium, 50w
INX5116	MULTI TAP BALLAST, High Pressure Sodium, 70w
INX5113	MULTI TAP BALLAST, High Pressure Sodium, 100w
INX5110	MULTI TAP BALLAST, High Pressure Sodium, 150w
INX5135	MULTI TAP BALLAST, Metal Halide, 70w
INX5133	MULTI TAP BALLAST, Metal Halide, 100w
INX5022	MULTI TAP BALLAST, Metal Halide, 175w
INX5263	MULTI TAP BALLAST, Pulse Start Metal Halide, 150w
INX3653	LAMP MEDIUM BASE, High Pressure Sodium, 50w
INX3621	LAMP MEDIUM BASE, High Pressure Sodium, 70w
INX3632	LAMP MEDIUM BASE, High Pressure Sodium, 100w
INX3593	LAMP MEDIUM BASE, High Pressure Sodium, 150w
INX3647	LAMP MEDIUM BASE, Metal Halide, 70w
INX3659	LAMP MEDIUM BASE, Metal Halide, 100w
INX3620	LAMP MEDIUM BASE, Metal Halide, 175w
INX3743	LAMP MOGUL BASE, Pulse Start Metal Halide, 150w
INX3687	LAMP MOGUL BASE, High Pressure Sodium, 50w
INX3662	LAMP MOGUL BASE, High Pressure Sodium, 70w
INX3535	LAMP MOGUL BASE, High Pressure Sodium, 100w
INX3651	LAMP MOGUL BASE, High Pressure Sodium, 150w
INX3683	LAMP MOGUL BASE, Metal Halide, 70w
INX3682	LAMP MOGUL BASE, Metal Halide, 100w
INX3551	LAMP MOGUL BASE, Metal Halide, 175w
INX3744	LAMP MOGUL BASE, Pulse Start Metal Halide, 150w
INX7050P1S	MOUNTING, Pendant 1"
INX7050P3S	MOUNTING, Pendant 3/4"
INX7051C2S	MOUNTING, Ceiling 1" 2 Way
INX7051C3S	MOUNTING, Ceiling 3/4" 2 Way
INX7051C4S	MOUNTING, Ceiling 3/4" 4 Way
INX7051C5S	MOUNTING, Ceiling 1" 4 Way
INX7055SS	MOUNTING, Stanchion 1 1/4"
INX7055S1S	MOUNTING, Stanchion 1 1/2"
INX7056B2S	MOUNTING, Wall 1" 2 Way
INX7056B3S	MOUNTING, Wall 3/4" 2 Way
INX7056B4S	MOUNTING, Wall 3/4" 4 Way
INX7056B5S	MOUNTING, Wall 1" 4 Way
INX4564	REFLECTOR, 30° Angled
INX4565	REFLECTOR, Shallow Dome
INX2150	GLOBE, Fluted
INX2008HR	GLOBE, Clear
GKT6090	GASKET, Housing
GKT2013	GASKET, Globe Base
INX4096	LAMP HOLDER, Medium
INX4100	LAMP HOLDER, Mogul
INX1057	GUARD

HazCor Optima 110/ss

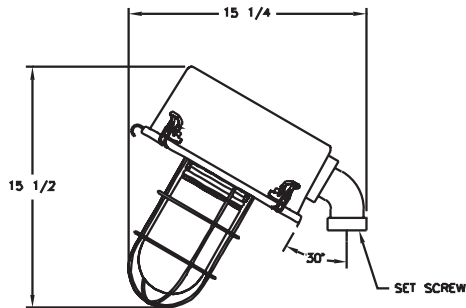
DIMENSIONS



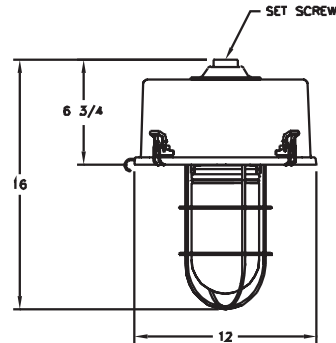
WALL MOUNT



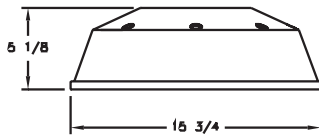
CEILING MOUNT



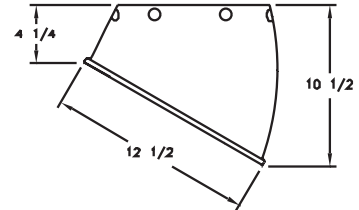
STANCHION MOUNT



PENDANT MOUNT



DOME REFLECTOR



ANGLE REFLECTOR

Dimensions in inches

NOTES