

Haz

HazCor Optima 1130/al



FEATURES

- Low profile mounting with junction box to the side of the luminaire.
- Tool less entry via four stainless steel over the center cam latches.
- One-piece high temperature silicone gaskets provide a watertight seal.
- Ceiling mount type.
- Stainless steel vibration dampening mounting feet.
- Field replaceable globe and gaskets.
- Tool less lamp replacement.

APPLICATIONS

- Low bay
- Hazardous locations
- Marine and watertight requirements
- Cargo hold areas
- Oil and gas exploration and production
- Parking garages
- Corrosive environments

APPROVALS

- Class I Division 2 Groups A, B, C & D
- Class I Zone 2 Groups IIA, IIB, IIB + H2 & IIC
- Type 4X
- Conforms to IP66
- Marine Outside Type Saltwater
- ABS

STANDARDS

- UL 844 – Hazardous Locations
- UL 1598A - Luminaires for Marine Vessels

TECHNICAL SPECIFICATIONS

HOUSING AND JUNCTION BOX

Copper free aluminum with an electrostatically applied white polyester powder coat finish.

MOUNTING FEET

Stainless steel.

GLOBE RETAINING RING

Polycarbonate.

GLOBE

Prismatic polycarbonate, Type V distribution.

LATCHES

Stainless steel.

MOUNTING

Ceiling.

ENTRIES

3/4" NPT through feed.

GASKETS

Silicone.

BALLAST

120/208/240/277v 60Hz multi-tap ballast or 480v 60Hz. 50Hz ballasts optional.

LAMP TYPE

High Pressure Sodium (HPS). Luminaires are supplied without lamps.

ORDERING REFERENCES

PART NUMBER	LAMP TYPE	WATTAGE	ANSI CODE	T-CODE	AMBIENT TEMP	SUPPLY WIRE TEMP
LXACRS7MT	HPS	70	S62	T2D/T2C	40/55°C	65/75°C
LXACRS10MT	HPS	100	S54	T2D/T2C	40/55°C	65/75°C

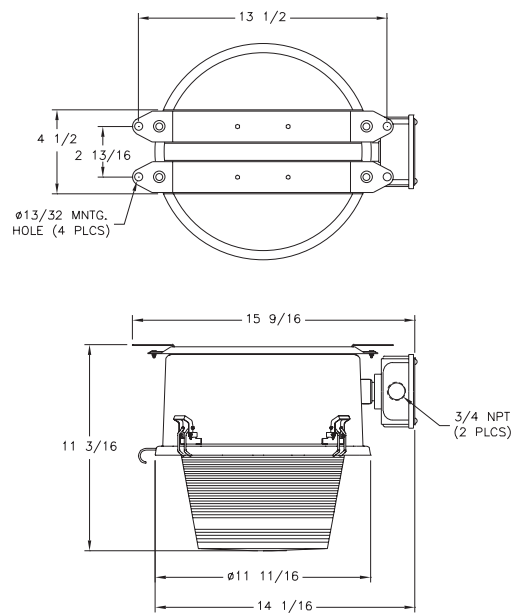
SPECIAL OPTIONS

-486 480V 60Hz

SPARE PARTS

Part No.	Description	Part No.	Description
INX2169	LENS	INX5116	BALLAST, 70W HPS MULTI-TAP
GKT6043-35.5	GASKET	INX5234	BALLAST, 70W HPS 480V 60HZ
INX4099	LAMP HOLDER	INX5014	BALLAST, 100W HPS MULTI-TAP
INX3662	LAMP, 70W HPS	INX5056	BALLAST, 100W HPS 480V 60HZ
INX3535	LAMP, 100W HPS		

DIMENSIONS



Dimensions in inches