

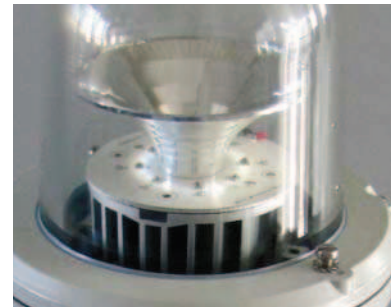


LIOL-A-ExD
LIOL-B-ExD

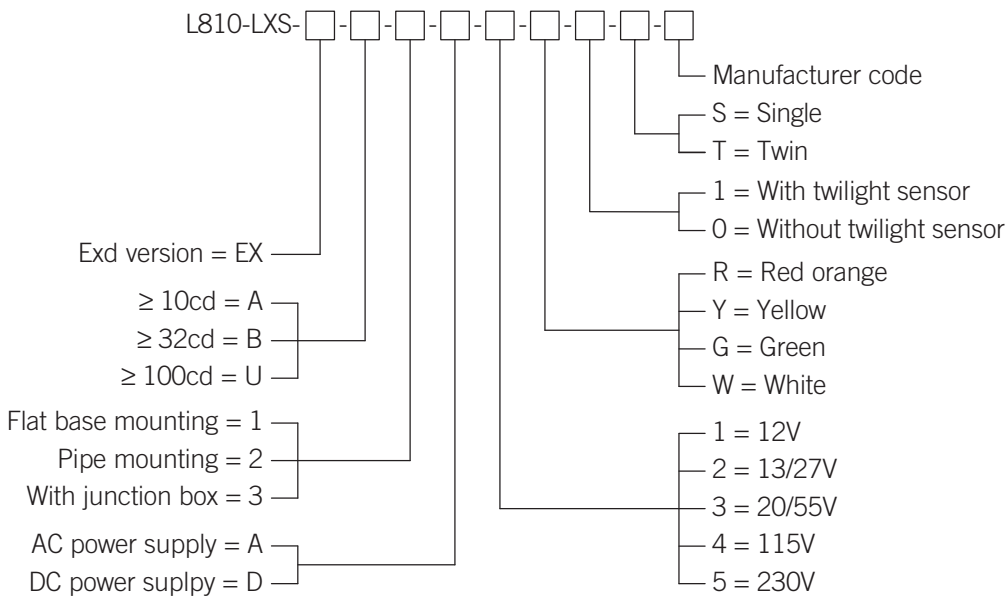
**LOW
INTENSITY**

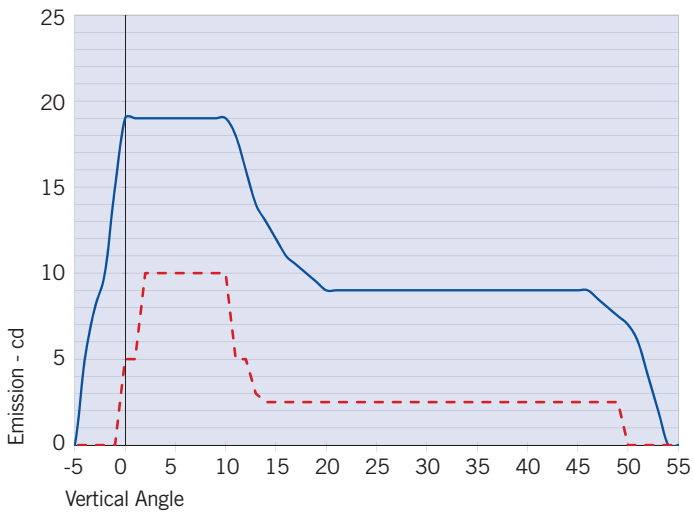
Low intensity obstruction light multiled type, compliance to ICAO type A,B FAA L-810 obstacle, night only.

- Based on led technology
- Steady burning red light
- Long life time >10+ years expectancy
- Stabilized light output
- Ex certificate nr. INERIS 01 ATEX 0019X Exd IIC T4

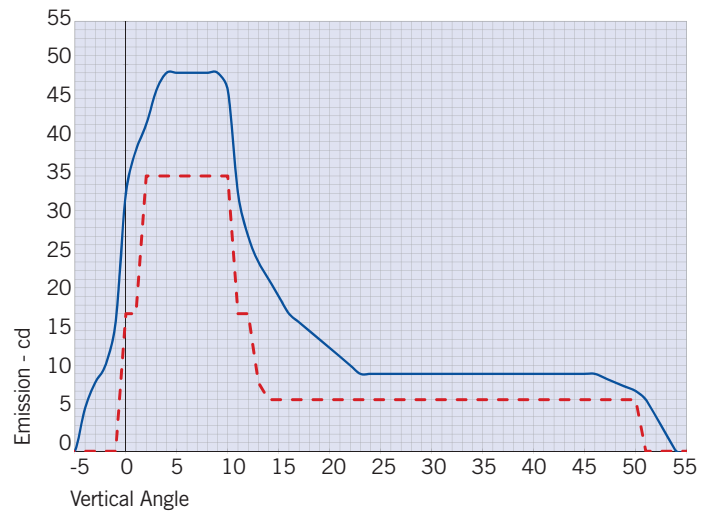


Order Code



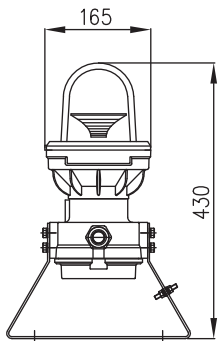


— L810-LXS-A average emission level
 - - ICAO ANNEX 14 low intensity type A Minimum Required Intensity

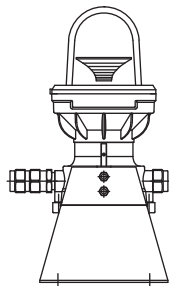


— L810-LXS-B average emission level
 - - ICAO ANNEX 14 low intensity type B Minimum Required Intensity

BEACON FRONT VIEW



BEACON SIDE VIEW



FIXING DETAILS

