

# Pro

## ProCor Optima 1000/al



### FEATURES

- Tool less entry via four stainless steel positive locking latches.
- High temperature silicone gaskets provide a watertight seal.
- Ceiling, pendant, stanchion and wall mount types.
- Field replaceable globe and gaskets.
- Shallow dome reflector available.

### APPLICATIONS

- Low bay
- Marine & watertight requirements
- Dusttight requirements
- Waste water treatment plants
- Pulp and paper production
- Pharmaceutical & additives formulation & processing
- Corrosive environments

### APPROVALS

- Type 4X
- Conforms to IP66
- ABS

### STANDARDS

- UL 1598 - Luminaires
- CSA - C22.2 No. 250-04

### TECHNICAL SPECIFICATIONS

#### HOUSING AND MOUNTS

Copper free aluminum with an electrostatically applied white polyester powder coat finish.

#### GLOBE RETAINING RING

Stainless steel.

#### LATCHES

Stainless steel, over the center cam.

#### GLOBE

Clear polycarbonate or Type V distribution, prismatic polycarbonate.

#### REFLECTORS

Optional shallow dome acrylonitrile butadiene styrene (ABS), gloss white.

#### MOUNTINGS

Ceiling, pendant, stanchion and wall.

#### ENTRIES

3/4" or 1" NPT outlets, stanchion 1 1/4" or 1 1/2".

#### GASKETS

One piece silicone.

#### BALLAST

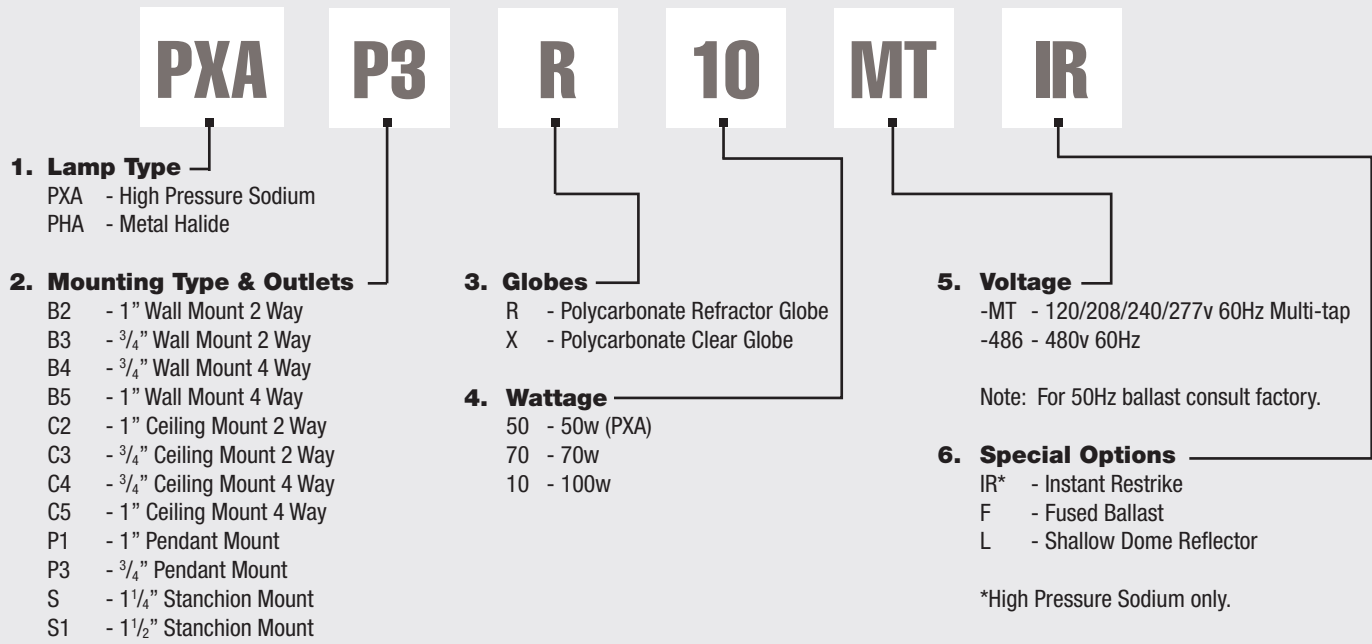
120/208/240/277v 60Hz multi-tap ballast or 480v 60Hz. 50Hz ballasts optional.

#### LAMP TYPE

Luminaires are supplied without lamps.

Lamp Type/ Mogul Base	Wattage	ANSI Code	Ambient Temp	Supply Wire
HPS	50	S68	40/55°C	65/75°C
HPS	70	S62	40/55°C	65/75°C
HPS	100	S54	40/55°C	65/75°C
MH	70	M98	40°C	105°C
MH	100	M90	40°C	105°C

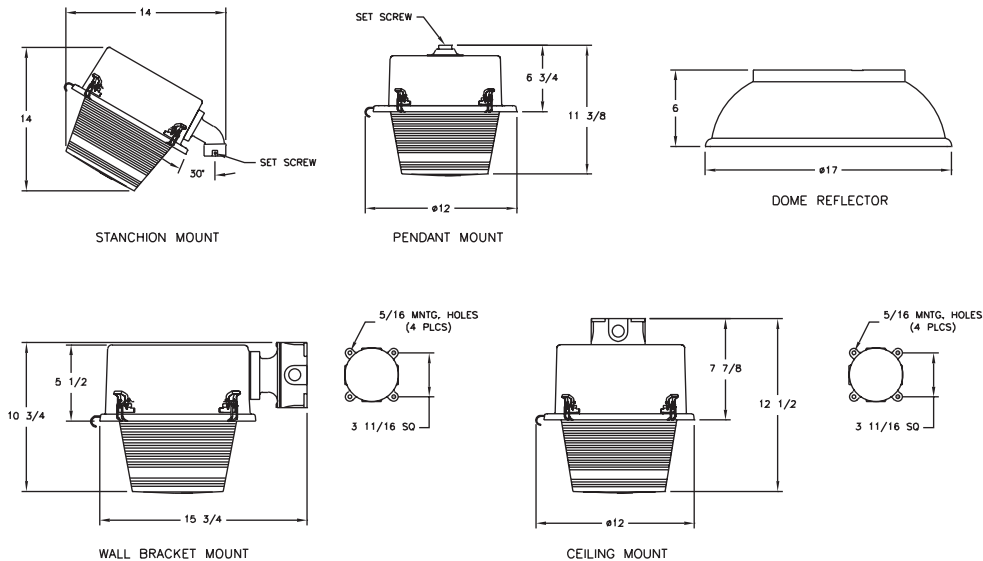
## ORDERING REFERENCES



## SPARE PARTS

Part No.	Description	Part No.	Description
INX5118	BALLAST, High Pressure Sodium 50w	INX4567	REFLECTOR Shallow Dome
INX5116	BALLAST, High Pressure Sodium 70w	INX7050P1A	MOUNTING, Pendant 1"
INX5113	BALLAST, High Pressure Sodium 100w	INX7050P3A	MOUNTING, Pendant 3/4"
INX5135	BALLAST, Metal Halide 70w	INX7051C2A	MOUNTING, Ceiling 1" 2 Way
INX5133	BALLAST, Metal Halide 100w	INX7051C3A	MOUNTING, Ceiling 3/4" 2 Way
INX2169	GLOBE, Polycarbonate Refractor	INX7051C4A	MOUNTING, Ceiling 3/4" 4 Way
INX2181	GLOBE, Polycarbonate Clear	INX7051C5A	MOUNTING, Ceiling 1" 4 Way
INX3687	LAMP, High Pressure Sodium 50w	INX7055SA	MOUNTING, Stanchion 1 1/4"
INX3662	LAMP, High Pressure Sodium 70w	INX7055S1A	MOUNTING, Stanchion 1 1/2"
INX3535	LAMP, High Pressure Sodium 100w	INX7056B2A	MOUNTING, Wall 1" 2 Way
INX3683	LAMP, Metal Halide 70w	INX7056B3A	MOUNTING, Wall 3/4" 2 Way
INX3682	LAMP, Metal Halide 100w	INX7056B4A	MOUNTING, Wall 3/4" 4 Way
INX4100	LAMP HOLDER	INX7056B5A	MOUNTING, Wall 1 4 Way

## DIMENSIONS



Dimensions in inches