

# Pro

## ProCor Optima 1020/ss



### FEATURES

- The only stainless steel HID solution available.
- Maintenance friendly removable ballast tray.
- Tool less entry via four stainless steel over the center cam latches.
- Lamp base isolated from ballast compartment for higher ambient suitability.
- Tool less lamp replacement.
- Open bottom stainless steel wire guard allows access to the globe for easy relamping.
- High temperature silicone gaskets provide a watertight seal.
- Ceiling, pendant, stanchion or wall mount types.
- Field replaceable globe and gaskets.
- Choice of angled or shallow dome reflectors.

### APPLICATIONS

- Mid bay
- Marine & watertight requirements
- Dusttight requirements
- Waste water treatment plants
- Pulp and paper production
- Aluminum processing facilities
- Salt and potash mines
- Pharmaceutical & additives formulation & processing
- Corrosive environments

### APPROVALS

- Type 4X
- Conforms to IP66
- ABS

### STANDARDS

- UL 1598 - Luminaires
- CSA - C22.2 No. 250-04

### TECHNICAL SPECIFICATIONS

#### HOUSING AND MOUNTS

Type 316 stainless steel.

#### GLOBE RETAINING RING

Stainless steel.

#### LATCHES

Stainless steel, over the center cam.

#### GLOBE

Internally fluted glass.

#### REFLECTORS

Optional 30° angled or shallow dome acrylonitrile butadiene styrene (ABS), gloss white.

#### MOUNTINGS

Ceiling, pendant, stanchion and wall.

#### ENTRIES

3/4" or 1" NPT outlets, stanchion 1/4" or 1/2".

#### GASKETS

One piece silicone.

#### GUARD

Stainless steel guard optional.

#### BALLAST

120/208/240/277v 60Hz multi-tap ballast or 480v 60Hz. 50Hz ballasts optional.

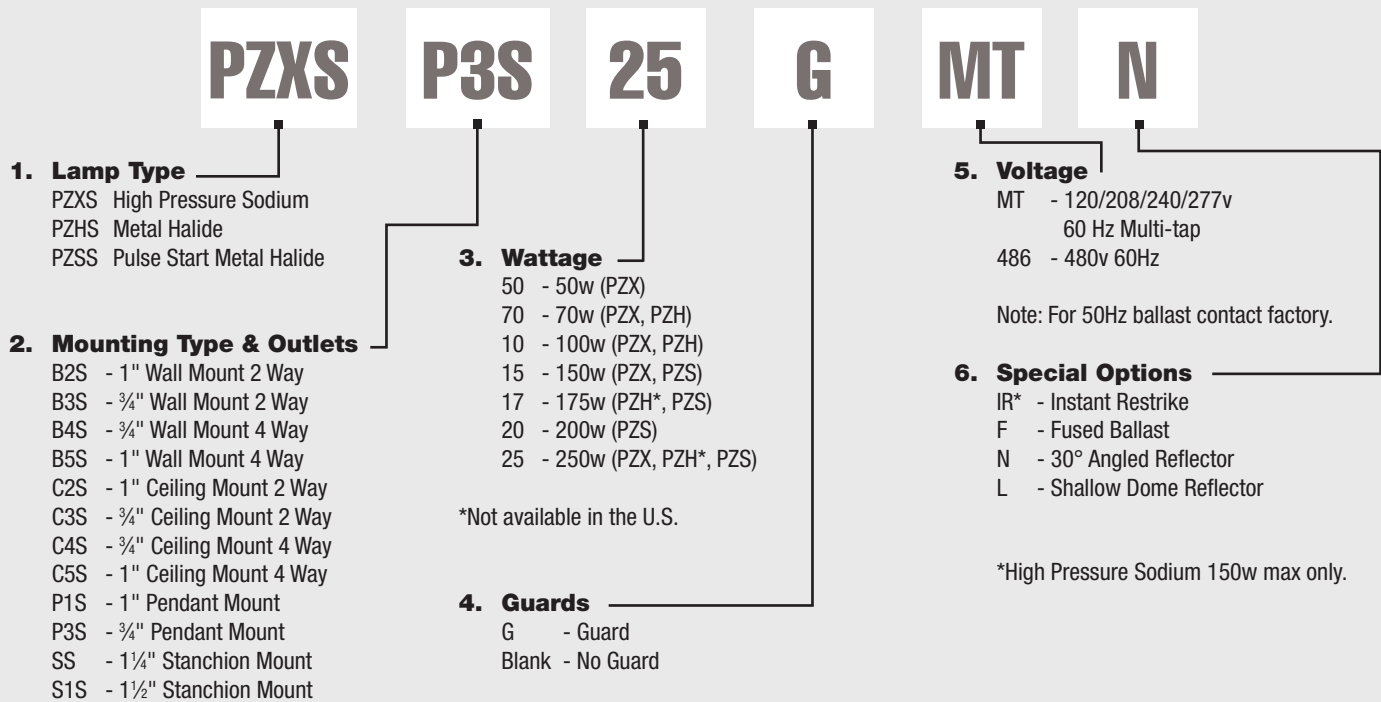
#### LAMP TYPE

Luminaires are supplied without lamps.

Lamp Type/ Mogul Base	Wattage	ANSI Code	Ambient Temp	Supply Wire Temp
HPS	50	S68	40°C	75°C
HPS	70	S62	40°C	75°C
HPS	100	S54	40°C	75°C
HPS	150	S55	40°C	75°C
HPS	250	S50	40°C	85°C
MH	70	M98	40°C	75°C
MH	100	M90	40°C	75°C
MH	175*	M57	40°C	75°C
MH	250*	M158	40°C	85°C
PSMH	150	M102	40°C	75°C
PSMH	175	M137	40°C	75°C
PSMH	200	M136	40°C	75°C
PSMH	250	M138	40°C	75°C

\*Not available in the U.S.

## ORDERING REFERENCES

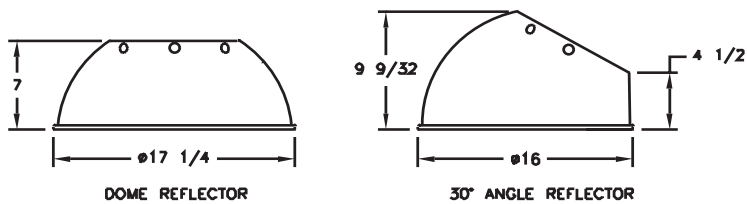
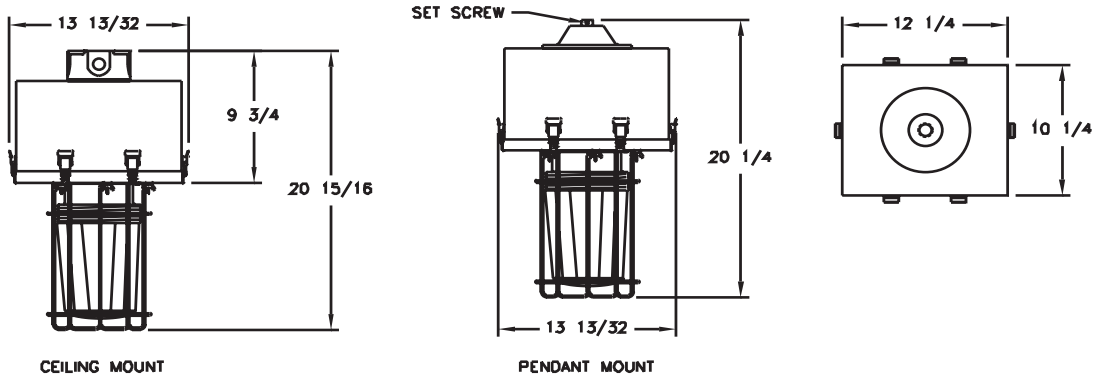
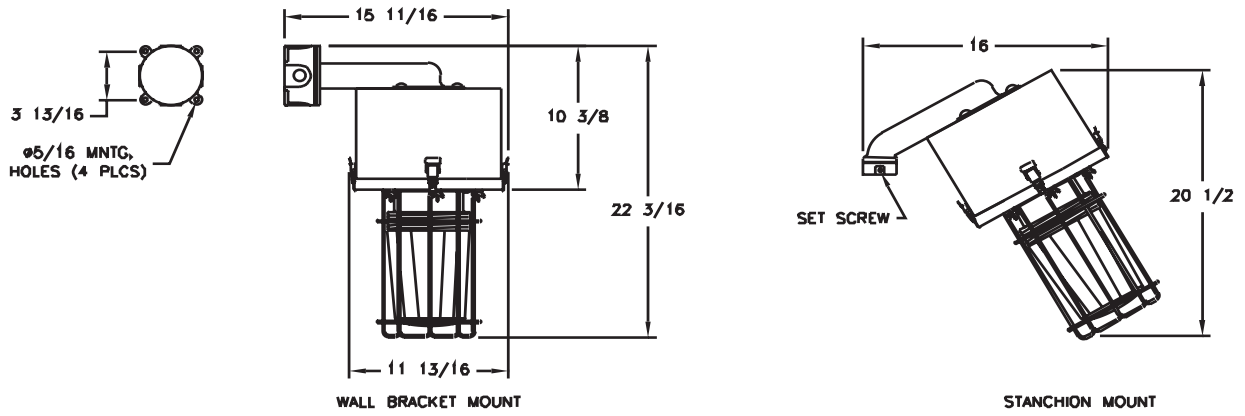


## SPARE PARTS

Part No.	Description
INX5118	MULTI TAP BALLAST, High Pressure Sodium, 50w
INX5116	MULTI TAP BALLAST, High Pressure Sodium, 70w
INX5113	MULTI TAP BALLAST, High Pressure Sodium, 100w
INX5110	MULTI TAP BALLAST, High Pressure Sodium, 150w
INX5176	MULTI TAP BALLAST, High Pressure Sodium, 250w
INX5135	MULTI TAP BALLAST, Metal Halide, 70w
INX5133	MULTI TAP BALLAST, Metal Halide, 100w
INX5022	MULTI TAP BALLAST, Metal Halide, 175w
INX5182	MULTI TAP BALLAST, Metal Halide, 250w
INX5263	MULTI TAP BALLAST, Pulse Start Metal Halide, 150w
INX5244	MULTI TAP BALLAST, Pulse Start Metal Halide, 175w
INX5251	MULTI TAP BALLAST, Pulse Start Metal Halide, 200w
INX5245	MULTI TAP BALLAST, Pulse Start Metal Halide, 250w
INX3687	LAMP MOGUL BASE, High Pressure Sodium, 50w
INX3662	LAMP MOGUL BASE, High Pressure Sodium, 70w
INX3535	LAMP MOGUL BASE, High Pressure Sodium, 100w
INX3651	LAMP MOGUL BASE, High Pressure Sodium, 150w
INX3546	LAMP MOGUL BASE, High Pressure Sodium, 250w
INX3683	LAMP MOGUL BASE, Metal Halide, 70w
INX3682	LAMP MOGUL BASE, Metal Halide, 100w
INX3551	LAMP MOGUL BASE, Metal Halide, 175w
INX3541	LAMP MOGUL BASE, Metal Halide, 250w
INX3744	LAMP MOGUL BASE, Pulse Start Metal Halide, 150w
INX3732	LAMP MOGUL BASE, Pulse Start Metal Halide, 175w
INX3738	LAMP MOGUL BASE, Pulse Start Metal Halide, 200w
INX3734	LAMP MOGUL BASE, Pulse Start Metal Halide, 250w
INX7050P1S	MOUNTING, Pendant 1"
INX7050P3S	MOUNTING, Pendant 3/4"
INX7051C2S	MOUNTING, Ceiling 1" 2 Way
INX7051C3S	MOUNTING, Ceiling 3/4" 2 Way
INX7051C4S	MOUNTING, Ceiling 3/4" 4 Way
INX7051C5S	MOUNTING, Ceiling 1" 4 Way
INX7053SS	MOUNTING, Stanchion 1 1/4"
INX7053S1S	MOUNTING, Stanchion 1 1/2"
INX7052B2S	MOUNTING, Wall 1" 2 Way
INX7052B3S	MOUNTING, Wall 3/4" 2 Way
INX7052B4S	MOUNTING, Wall 3/4" 4 Way
INX7052B5S	MOUNTING, Wall 1" 4 Way
INX45670	REFLECTOR, 30° Angled Reflector
INX4568	REFLECTOR, Shallow Dome Reflector
INX2136	GLOBE, Fluted
GKT6089-41	GASKET, Housing
GKT3021-1	GASKET, Globe Base
INX4004	LAMP HOLDER, HPS,
INX4100	LAMP HOLDER, PSMH, MH
INX1059	GUARD

# ProCor Optima 1020/ss

## DIMENSIONS



Dimensions in inches

NOTES