

Pro

ProExit F/ml



FEATURES

- Low profile design.
- Optional, self contained emergency battery backup ballasts.
- Edge lit acrylic with etched letters.
- Single or double sided lettering.
- Surface or recessed mounting.
- Lamps provided.

APPLICATIONS

- Exit marking
- Emergency egress
- Marine interior

APPROVALS

- Conforms to IP20
- ABS

TECHNICAL SPECIFICATIONS

HOUSING/COVER

Type 5052H32 aluminum with an electrostatically applied white polyester powder coat finish.

DIFFUSER

Acrylic with red letters.

ENTRIES

One 1/2" NPT knockout at each end. See DIMENSIONS for details.

LAMP TYPE

One 8w T5 Mini Bi-Pin G5 lamp, provided.

MOUNTING

Ceiling or recessed ceiling type.

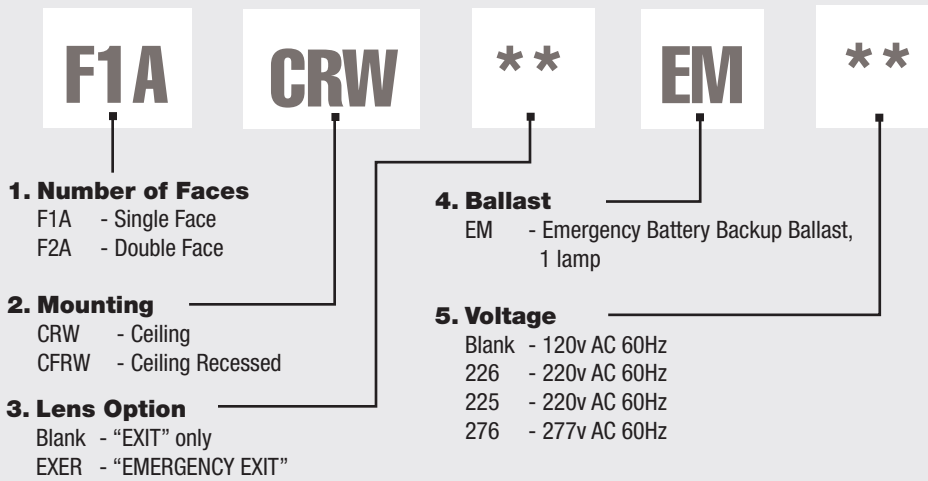
BALLAST

120v AC 60Hz. See ORDERING REFERENCES for other voltages.

EMERGENCY BATTERY BACKUP BALLAST

Optional, self contained 90 minute minimum for all lamp types. Starting temperature 32°F/0°C.

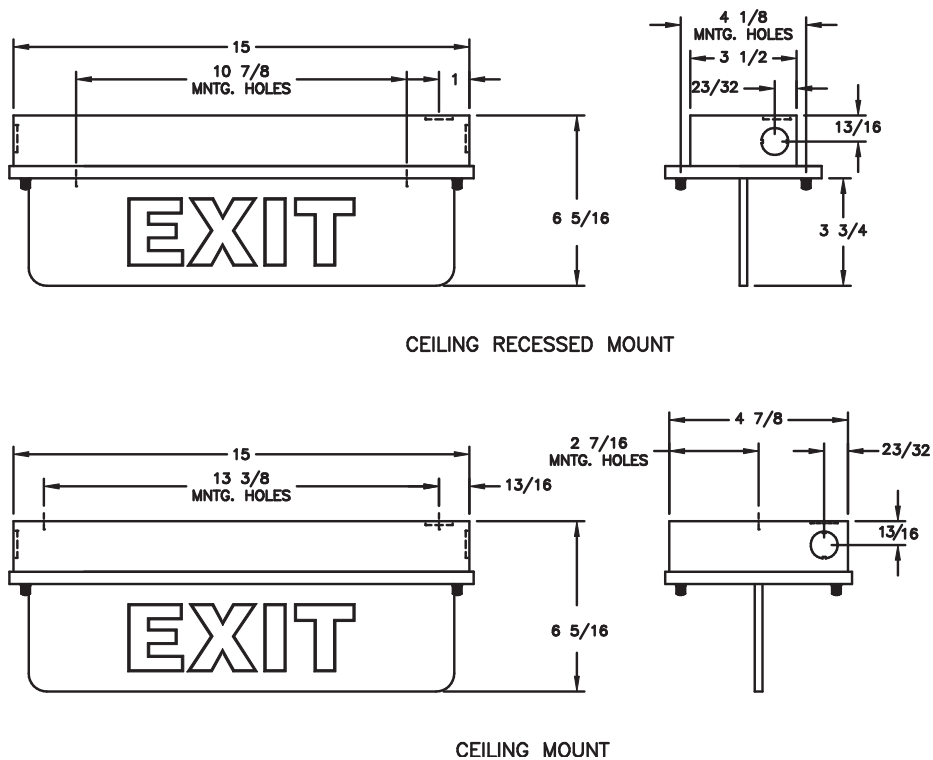
ORDERING REFERENCES



SPARE PARTS

Part No.	Description
FX5012	BALLAST, 120v 60Hz
FX5168	BALLAST, 220v 60Hz
FX5081	BALLAST, 220v 50Hz
FX5090	BALLAST, 277v 60Hz
FX5019	EMERGENCY BATTERY BACKUP BALLAST 120 or 277v AC
FX3509	LAMP
FX4029	LAMP HOLDER

DIMENSIONS



Dimensions in inches