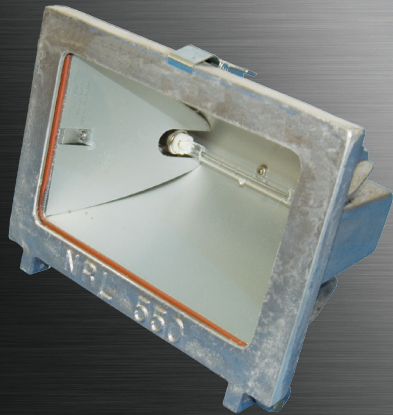


Pro

ProFlood Achiever QL/al



FEATURES

- 500w quartz halogen.
- Single latch design.
- High temperature silicone gasket provides a watertight seal.
- Cast aluminum finned housing for greater heat dissipation.
- Hinged door for easy lamp replacement and maintenance.
- Thermal shock resistant, tempered ¼" thick glass lens.
- Double spring loaded sockets extend lamp life in vibration areas.
- Wide NEMA 6 x 6 beam spread.
- Two mounting styles available: trunion and post-top mount.
- Protective guard available.

APPLICATIONS

- Dusttight requirements
- Pulp and paper production
- Emergency evacuation
- Vehicle accessory lighting
- General industrial area lighting
- Security lighting

APPROVALS

- Enclosed and gasketed
- Type 4
- Conforms to IP66
- ABS

STANDARDS

- UL 1598 - Luminaires
- CSA Class 3425 03
- CSA Class 3425 83

TECHNICAL SPECIFICATIONS

HOUSING AND LENS FRAME

Cast aluminum.

WIND RATING

EPA - <1 at vertical.

GUARD

Optional, type 18-8 stainless steel.

MOUNTING BRACKETS

Aluminum.

ENTRIES

One ½" NPT.

GASKET

One piece silicone.

HARDWARE

Plated steel.

REFLECTOR

Highly specular aluminum.

VOLTAGE

120v, optional 220v.

LENS

Tempered, ¼" thick glass.

LAMP TYPE

T3 quartz halogen provided.

LAMP HOLDER

Double spring loaded.

ORDERING REFERENCES

PART NUMBER	LAMP TYPE	WATTAGE/ VOLTAGE	WEIGHT LBS	ANSI LAMP TYPE	AMBIENT TEMP	SUPPLY WIRE TEMP
QAL501T	Quartz Halogen	500w 120v	8.5	T-3 RSC	25°C	90°C
QAL502T	Quartz Halogen	500w 240v	8.5	T-3 RSC	25°C	90°C

SPECIAL OPTIONS

- P - Post-top mount (Replace suffix T)
- WG - Stainless Steel Wire Guard

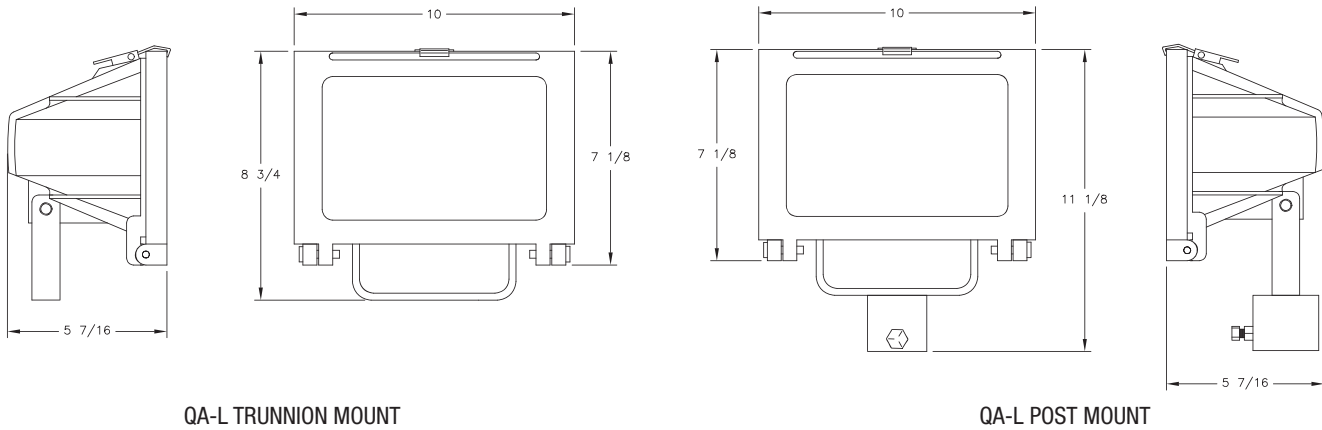
Notes:

1. Not certified for indoor use.

SPARE PARTS

Part No.	Description	Part No.	Description
055-0501	DOOR FRAME ASSEMBLY	756-0305	LAMP HOLDER, Quartz Lamp
055-0100	LENS, Tempered Glass	711-0501	LAMP, Quartz 500w, 130v
055-2000	GASKET, Lens	711-0502	LAMP, Quartz 500w, 240v
035-2065	LATCH	055-0520	WIRE GUARD
055-4000	LAMP HOLDER ASSEMBLY	SC30H	SAFETY CABLE, 48" Stainless Steel, Snap Hook

DIMENSIONS



QA-L TRUNNION MOUNT

QA-L POST MOUNT

Dimensions in inches