

Pro

ProGuard 1440/1449/br



FEATURES

- Low profile heavy duty cargo hold or pit light.
- Designed for severe and harsh environments.
- Available in 100w and 200w incandescent. Suitable for self ballasted compact fluorescent.
- Hinged guard and captive hardware for ease of relamping.
- Neoprene gaskets resist petroleum and provide a watertight seal.

APPLICATIONS

- Marine and watertight requirements
- Transportation / exploration vessels
- Ferries
- Tankers
- Cargo hold areas
- Pit lighting

APPROVALS

- Conforms to IP66
- Marine Outside Type Saltwater
- ABS

STANDARDS

- UL 1598A - Luminaires for Marine Vessels

TECHNICAL SPECIFICATIONS

HOUSING & GUARD

Cast marine brass.

REFLECTORS

Type 5052H32 aluminum with an electrostatically applied white polyester powder coat finish. Minimum 90% reflectance.

HARDWARE

Stainless steel.

ENTRIES

Standard units undrilled. Up to 3/4" NPT four way available. See ENTRY OPTIONS for selections.

GASKETS

One piece neoprene.

MOUNTING

Ceiling type.

LAMP HOLDER

Medium base, phenolic.

GLOBE

Clear impact resistant glass.

LAMP TYPE

A-19 100w max, A-21 200w max or self ballasted compact fluorescent. Lamp not provided.

VOLTAGE

Rated for use to 250v AC.

TERMINAL BLOCK

Four pole 20 Amp provided.

ORDERING REFERENCES

PART NUMBER	DESCRIPTION	LAMP MAX	WEIGHT LBS
1440B	Cargo Hold	A-19 100w	13.0
1449B	Cargo Hold	A-21 200w	19.0

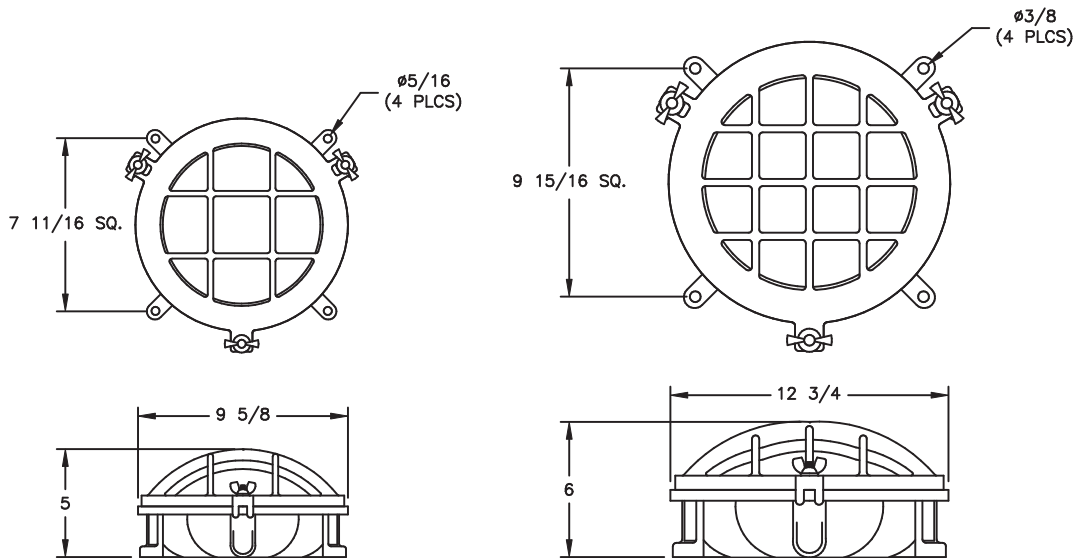
ENTRY OPTIONS

NPT Trade Size	Dead End	Thru Feed	90 Degree	X-Positions
1/2"	E1	C1	L1	X1
3/4"	E2	C2	L2	X2

SPARE PARTS

Part No.	Description	Part No.	Description
INX4081	LAMP HOLDER, Phenolic	INX3678	LAMP, 200w
INX1048B	GUARD, 100w	GKT1019SIL	GASKET, 100w Lens
INX1063B	GUARD, 200w	GKT1121	GASKET, 200w Lens
INX2143	GLASS GLOBE, 100w Clear	GKT1025	GASKET, 100w Housing
INX2140CLR	GLASS GLOBE, 200w Clear	GKT1122	GASKET, 200w Housing
INX3528	LAMP, 100w	CX3070	TERMINAL BLOCK, 4 pole

DIMENSIONS



Dimensions in inches

1440

1449