

Pro

ProGuard 735/738/al



FEATURES

- Available in 100w and 150w incandescent.
- Compact, one-piece wall mount design minimizes protrusion.
- Wire access chamber for ease of installation and maintenance.
- High temperature silicone gaskets provide a watertight seal.
- Protective guard provided.
- A wide variety of globe materials and colors.

APPLICATIONS

- Wall mount type
- Marine and watertight requirements
- Dusttight requirements
- Freezer and refrigeration
- Pharmaceutical & additives formulation & processing
- Waste water treatment plants
- Bridge & pier lighting

APPROVALS

- Conforms to IP66
- Marine Outside Type Saltwater
- ABS

STANDARDS

- UL 1598A - Luminaires for Marine Vessels

TECHNICAL SPECIFICATIONS

HOUSING

Cast copper free aluminum.

GUARD

Cast copper free aluminum.

HARDWARE

Stainless steel.

ENTRIES

Standard two 1/2" NPT outlets. Up to 3/4" NPT through feed available. See ENTRY OPTIONS for selections.

GASKETS

One piece silicone.

MOUNTING

Wall type.

LAMP HOLDER

Medium base, high temperature PBT. Nickel plated copper screw shell. Porcelain or shockproof optional.

GLOBE

Glass, tempered or polycarbonate.

LAMP TYPE

Incandescent. Lamp not provided.

VOLTAGE

Rated up to 300v AC.

SWITCH

Double pole toggle switch with a watertight boot, optional.

ORDERING REFERENCES

PART NUMBER	DESCRIPTION	LAMP MAX	WEIGHT LBS
735A	Wall Mount	A-19 100w	2.5
738A	Wall Mount	A-21 150w	2.9

SPECIAL OPTIONS

- P - Porcelain Lamp Holder
- SP - Shockproof Lamp Holder
- K - Double Pole Toggle Switch
- RED - Red Globe
- BLU - Blue Globe
- GRN - Green Globe
- YEL - Yellow Globe
- FST - Frosted Globe
- PG* - Polycarbonate Clear Globe (Guard not provided)
- HR - Heat Resistant Clear Glass Globe
- T - Terminal Block (4 Pole)

*100w incandescent only.

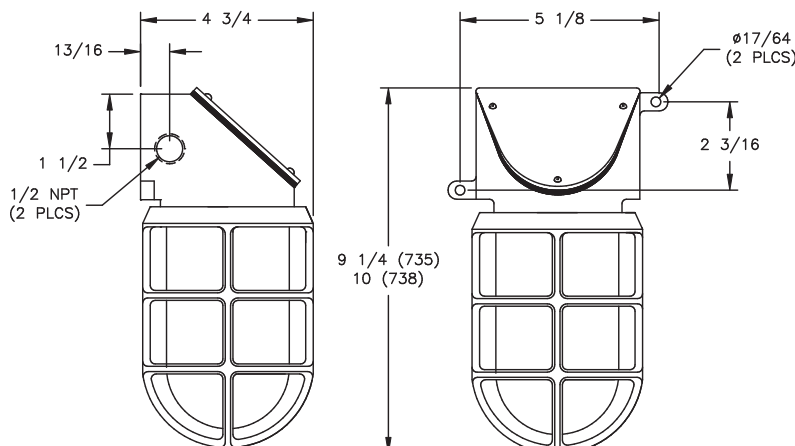
ENTRY OPTIONS

NPT Trade Size	Dead End	Thru Feed
1/2"	E1	Std.
3/4"	E2	C2

SPARE PARTS

Part No.	Description
INX3528	LAMP, 100w A-19
INX3543	LAMP, 150w A-21
INX4000	LAMP HOLDER, Incandescent, Standard PBT
INX4000P	LAMP HOLDER, Incandescent, Porcelain
INX4000SP	LAMP HOLDER, Incandescent, Shockproof
INX2006CLR	GLASS GLOBE, 100w 6", Clear
INX2006GRN	GLASS GLOBE, 100w 6", Green
INX2006BLU	GLASS GLOBE, 100w 6", Blue
INX2006RED	GLASS GLOBE, 100w 6", Red
INX2006YEL	GLASS GLOBE, 100w 6", Yellow
INX2006FST	GLASS GLOBE, 100w 6", Frosted
INX2006HR	GLASS GLOBE, 100w 6", Clear Heat Resistant
INX2007CLR	GLASS GLOBE, 150w 7", Clear
INX2007GRN	GLASS GLOBE, 150w 7", Green
INX2007BLU	GLASS GLOBE, 150w 7", Blue
INX2007RED	GLASS GLOBE, 150w 7", Red
INX2007YEL	GLASS GLOBE, 150w 7", Yellow
INX2007FST	GLASS GLOBE, 150w 7", Frosted
INX2007HR	GLASS GLOBE, 150w 7", Clear Heat Resistant
INX1036A	GUARD, 100w 6"
INX1037A	GUARD, 150w 7"
GKT2002SIL	GASKET, Globe
GKT6019	GASKET, Cover
INX3012	DOUBLE POLE TOGGLE SWITCH
GKT8000	WATERTIGHT SWITCH BOOT
CX3070	TERMINAL BLOCK 4 Pole

DIMENSIONS



Dimensions in inches