

Pro

ProGuard 767/br



FEATURES

- Available in 100w and 150w incandescent.
- Compact, one piece pendant mount design.
- High temperature silicone gasket provides a watertight seal.
- Protective guard provided.
- Optional angle or shallow dome reflectors.
- A wide variety of globe materials and colors.

APPLICATIONS

- Pendant mount type
- Marine and watertight requirements
- Dusttight requirements
- Military ships
- Coast guard rescue vessels
- Bridge & pier lighting

APPROVALS

- Conforms to IP66
- Marine Outside Type Saltwater
- ABS

STANDARDS

- UL 1598A - Luminaires for Marine Vessels

TECHNICAL SPECIFICATIONS

PENDANT HOUSING

Cast marine brass.

GUARD

Cast marine brass.

HARDWARE

Stainless steel.

ENTRIES

Standard one 1/2" NPT outlet. Optional 3/4" NPT.

GASKET

One piece silicone.

MOUNTING

Pendant type.

LAMP HOLDER

Medium base, high temperature PBT. Nickel plated copper screw shell. Porcelain or shockproof optional.

GLOBE

Glass, tempered glass or polycarbonate.

LAMP TYPE

Incandescent. Lamp not provided.

VOLTAGE

Rated up to 300v AC.

ORDERING REFERENCES

PART NUMBER	DESCRIPTION	LAMP MAX	WEIGHT LBS
767B	Pendant Mount	100w	4.2
767B7	Pendant Mount	150w	5.0

SPECIAL OPTIONS

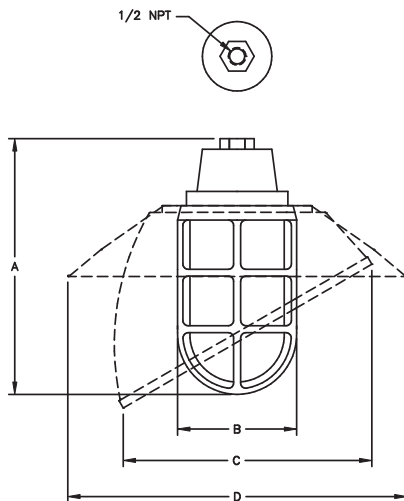
P	- Porcelain Lamp Holder
SP	- Shockproof Lamp Holder
PG*	- Polycarbonate Clear Globe (Guard not provided)
HR	- Heat Resistant Clear Glass Globe
FST	- Frosted Globe
RED	- Red Globe
BLU	- Blue Globe
GRN	- Green Globe
YEL	- Yellow Globe
E2	- 3/4" NPT mounting
L	- Shallow Dome Reflector
N	- Angle Dome Reflector

*100w incandescent only.

SPARE PARTS

Part No.	Description	Part No.	Description
INX4000	LAMP HOLDER, Standard PBT	INX1037B	GUARD, 100w 6"
INX4000P	LAMP HOLDER, Porcelain	INX1037B	GUARD, 150w 7"
INX4000SP	LAMP HOLDER, Shockproof	INX2006*	GLASS GLOBE, 100w 6"
INX3528	LAMP, 100w	INX2007*	GLASS GLOBE, 150w 7"
INX3543	LAMP, 150w	INX4544	REFLECTOR, Shallow Dome, 100w/150w
GKT2002SIL	GASKET, 100w	INX4539B	REFLECTOR, Angle Dome, 100w/150w
GKT2002SIL	GASKET, 150w		

* Add one of the following suffix to the above part number to obtain the globe.
 Clear Heat Resistant - HR Clear - CLR Green - GRN
 Frosted - FST Red - RED Yellow - YEL Blue - BLU



Dimensions in inches

DIMENSIONS

Part No.	A	B	Option "N"	Option "N"
767B	8 3/4"	4 1/4"	9 1/4"	12 1/2"
767B7	9 1/2"	4 1/4"	9 1/4"	12 1/2"