

# Pro

## ProMark **POB/al**



### FEATURES

- Available in up to 116w incandescent.
- Aeronautical obstruction light with bottom or side entries.
- Available in single and double lamp units.
- Easy relamping through quick release side latches.
- Red fresnel lens provided.
- Retained lens helps prevent damage or loss of the lens during servicing.
- Optional transfer relay for use on 116w lamps transfers power to a second lamp when the first lamp fails.
- Neoprene gasket resists petroleum.

### APPLICATIONS

- Obstruction marking
- Heli-pad marking
- Stem/pendant mount or side entry
- Airports
- Vessel mast obstruction
- Drill ships and tankers
- Cargo ships
- Crane boom marking

### APPROVALS

- FAA AC 150/5345 - 43E
- FAA Type L810 Steady Burning Obstruction Light
- Compliant to: Transport Canada TP312E
- ICAO Annex 14
- ICAO Type Low-Intensity Obstacle Light
- USAF AFMAN 32-1076

### TECHNICAL SPECIFICATIONS

#### HOUSING

Cast aluminum with an electrostatically applied powder coat finish.

#### MOUNTING/ENTRIES

Stem/pendant type or side entry, 3/4" or 1" NPT.

#### GASKET

Neoprene.

#### LAMP HOLDER

Medium base.

#### LENS

Heat resistant glass, red fresnel.

#### LAMP TYPE

Incandescent up to 116w A-21. Lamps not provided.

#### RETAINING CHAIN

Stainless steel.

#### VOLTAGE

Rated up to 230v.

## ORDERING REFERENCES

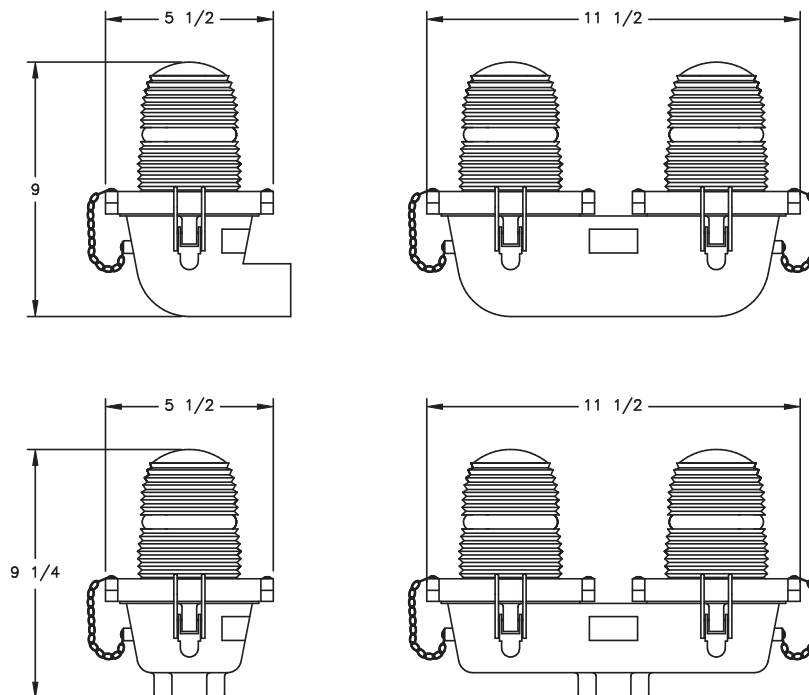
PART NUMBER	DESCRIPTION	WEIGHT LBS	ENTRANCE	NPT SIZE
POB21A31	Single Unit	4.0	Side	3/4"
POB21A41	Single Unit	4.0	Side	1"
POB20A31	Single Unit	4.0	Bottom	3/4"
POB20A41	Single Unit	4.0	Bottom	1"
POB22A31	Double Unit	8.0	Bottom	3/4"
POB22A41	Double Unit	8.0	Bottom	1"
POB24A31	Double Unit	8.0	Side	3/4"
POB24A41	Double Unit	8.0	Side	1"
POB22TR-3#	Double Unit w/Transfer Relay	8.0	Bottom	3/4"
POB22TR-4#	Double Unit w/Transfer Relay	8.0	Bottom	1"
POB24TR-3#	Double Unit w/Transfer Relay	8.0	Side	3/4"
POB24TR-4#	Double Unit w/Transfer Relay	8.0	Side	1"

# Specify 1 (120V) or 2 (220V) to complete part number.

## SPARE PARTS

Part No.	Description		
POL116B	LAMP, 116w A-21/TS 120v	PKR1050A	TRANSFER RELAY
PPK1095A	GASKET	PGL1020	LENS, Red
PLX1019	LAMP HOLDER	PAU5039	LENS HOLDER ASSEMBLY
PHA5037	SPRING FOR LATCH		

## DIMENSIONS



Dimensions in inches