

Pro

ProMax Intrepid/al



FEATURES

- Fluorescent system provides energy savings up to 50% when compared to HID.
- Third party certified for operation in high ambient temperatures, up to 65°C (149°F).
- Multi voltage electronic ballast resistant to brownouts or voltage and frequency fluctuations.
- Stainless steel latches, mounting feet and lens retainers.
- Impact resistant, UV stabilized polycarbonate lens.
- Shoc♦Loc™ Bi-Pin spring loaded lamp holders for T5, T8 and T12 lamp types, provide superior resistance to shock and vibration.
- USDA compliant materials.
- Meets Canadian Processed Products Regulations C.R.C. c291.
- Neoprene gasket resists petroleum.
- Three lamp models are provided with (1) single lamp ballast and (1) two lamp ballast for independent switching or filter tube options.
- Optional self contained emergency battery backup ballasts.
- Option MIL includes: 10 feet of low smoke cable, lamps and a mounting footprint that matches symbol 77.4 (1 and 2 lamp) and symbol 333.1 (3 lamp).
- Optional long life T5 lamps available upon request (consult factory).

APPLICATIONS

- Marine and watertight requirements
- Dusttight requirements
- Waste water treatment plants
- Food & beverage processing facilities
- Pulp and paper production plants

APPROVALS

- Type 4
- IP66
- Marine Outside Type Saltwater
- ABS
- NSF

STANDARDS

- UL 924 - Emergency Lighting Equipment
- UL 1598A - Luminaires for Marine Vessels
- EN 60529 - Ingress Protection
- Canadian Processed Products Regulations C.R.C. c291
- CSA - C22.2 250-04
- CSA - C22.2 141
- NSF/ANSI 2-2007 Splash Zone

TECHNICAL SPECIFICATIONS

HOUSING

.062 inch thick, type 5052H32 aluminum with an electrostatically applied polyester powder coat finish.

LENS

0.090 inch thick, matte polycarbonate. Optional clear polycarbonate.

REFLECTOR

Type 5052H32 aluminum with an electrostatically applied white polyester powder coat finish. Minimum 90% reflectance.

GASKET

One piece neoprene.

MOUNTING

Stainless steel vibration dampening feet for ceiling, wall or chain mount, optional end mount. Kits available for uni-strut/rod and pole mount.

LATCHES

Stainless steel over the center cam.

LAMP HOLDERS

Spring loaded on one end for linear lamp types.

ENTRIES

Feed-through, one nonmetallic cable gland and one end plugged. See Special Options for other entries.

LAMP TYPES

See ORDERING REFERENCES. Lamps not provided.

BALLAST

120 to 277 volt 50/60 Hz electronic, except F20 & F40 T12 Bi-Pin which are 120V 60Hz.

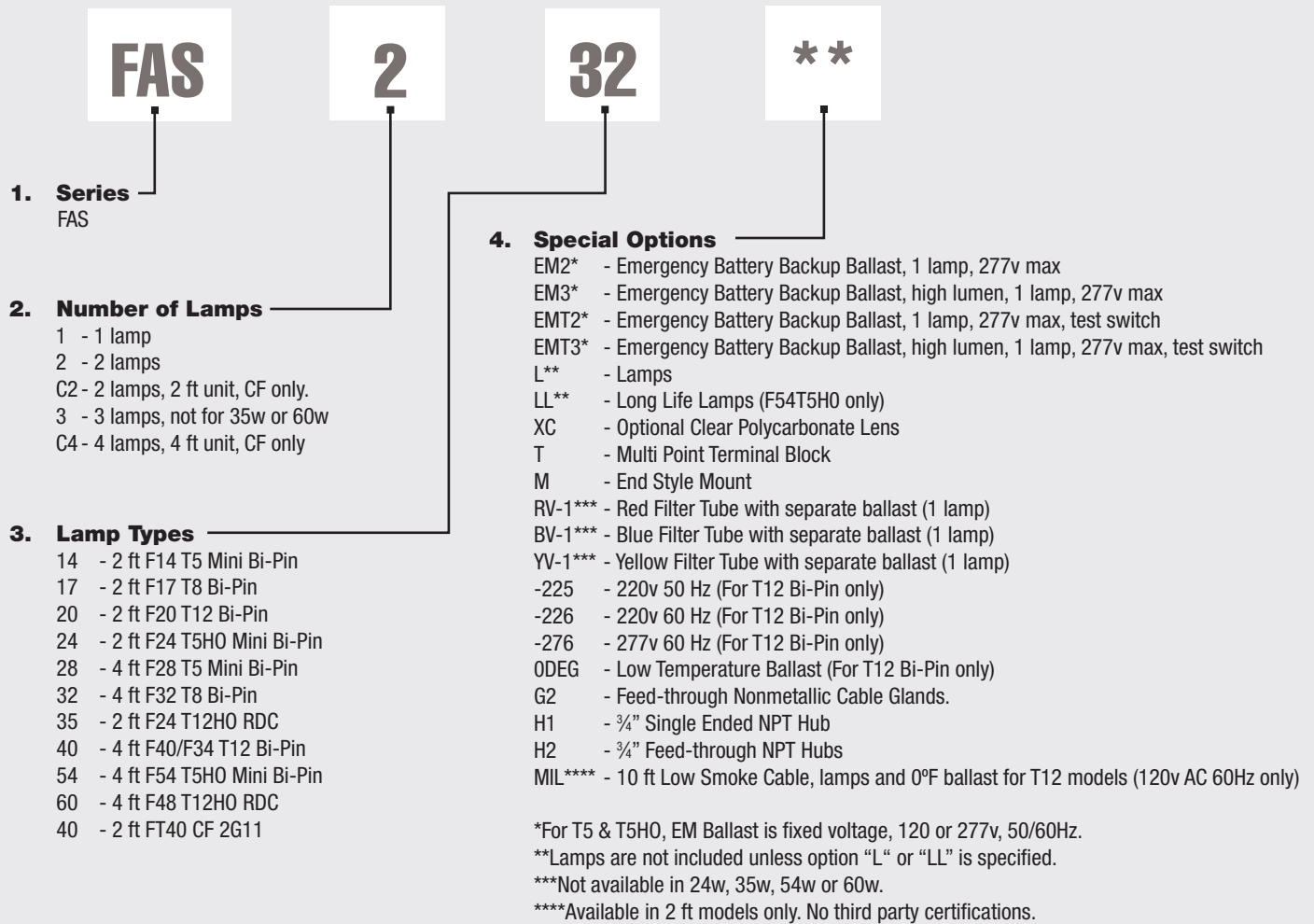
Lamp Wattage	Ballast/Socket Type	ANSI Lamp Code	Starting Temp	Maximum Ambient*	Supply Wire
17	T8 Bi-Pin G13	F17-T8	0°F / -18°C	55°C	90°C
32	T8 Bi-Pin G13	F32-T8	-20°F / -29°C	55°C	90°C
40	4 Pin 2G11	FT40 CF	0°F / -18°C	55°C	90°C
24/54	T5HO Mini Bi-Pin G5	F24/F54-T5HO	-20°F / -29°C	55°C	90°C
14/28	T5 Mini Bi-Pin G5	F14/F28-T5	0°F / -18°C	55°C	90°C
35/60	T12HO RDC R17d	F24/F48-T12HO	-20°F / -29°C	40°C	90°C

*Consult factory for optional higher ambient models.

EMERGENCY BATTERY BACKUP BALLAST

Optional, self contained 90 minute minimum for all lamp types. 120 minutes minimum for F32T8 one lamp. Starting temperature 32°F/0°C.

ORDERING REFERENCES



Notes:

1. Consult factory for options not listed.

COMMONLY ORDERED LUMINAIRES

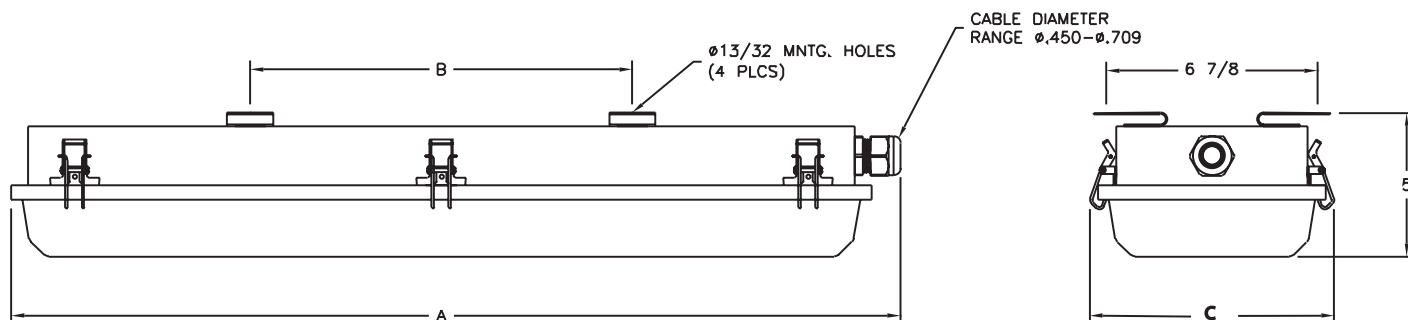
Part No.	Description	Weight	
		Lbs	Kg
FAS217	Aluminum 2 foot fixture 2 x F17 120-277v 50/60 Hz	8.5	3.9
FAS220	Aluminum 2 foot fixture 2 x F20 120v 60 Hz	9.5	4.3
FAS232	Aluminum 4 foot fixture 2 x F32 120-277v 50/60 Hz	16.2	7.3
FAS240	Aluminum 4 foot fixture 2 x F40 120v 60 Hz	17.2	7.8
FX2175	Matte Polycarbonate Lens with Gasket 2 ft	1.5	.68
FX2177	Matte Polycarbonate Lens with Gasket 4 ft	2.7	1.22
FX2163	Clear Polycarbonate Lens with Gasket 2 ft	1.5	.68
FX2165	Clear Polycarbonate Lens with Gasket 4 ft	2.7	1.22
FX8014	Latches	.1	.05

ProMax Intrepid/al

SPARE PARTS

Part No.	Description		
FX5350	BALLAST 120-277V AC 50/60HZ, 1 x 14, F14T5	FX3567	LAMP, 54w, F54T5HO
FX5350	BALLAST 120-277V AC 50/60HZ, 1 x 28, F28T5	FX3577	LAMP, 54w, Long Life F54T5HO
FX5307	BALLAST 120-277V AC 50/60HZ, 1 x 24, F24T5HO	FX3528	LAMP, 17w, F17T8
FX5305	BALLAST 120-277V AC 50/60HZ, 1 x 54, F54T5HO	FX3527	LAMP, 32w, F32T8
FX5174	BALLAST 120-277V AC 50/60HZ, 1 x 17, F17T8	FX3506	LAMP, 20w, F20T12
FX5221	BALLAST 120-277V AC 50/60HZ, 1 x 32, F32T8	FX3517	LAMP, 34w, F40T12/ES
FX5334	BALLAST 120-277V AC 50/60HZ, 1 x 35, F24T12HO	FX3504	LAMP, 40w, F40T12
FX5334	BALLAST 120-277V AC 50/60HZ, 1 x 60, F48T12HO	FX3507	LAMP, 35w, F24T12HO
FX5272	BALLAST 120-277V AC 50/60HZ, 1 x 40 CF, FT40 2G11	FX3505	LAMP, 60w, F48T12HO
FX5350	BALLAST 120-277V AC 50/60HZ, 2 x 14, F14T5	FX3533	LAMP, 40w CF, FT40 2G11
FX5350	BALLAST 120-277V AC 50/60HZ, 2 x 28, F28T5	FX8014	LATCH
FX5307	BALLAST 120-277V AC 50/60HZ, 2 x 24, F24T5HO	GKT6106-69	LENS GASKET, 2ft. models
FX5305	BALLAST 120-277V AC 50/60HZ, 2 X 54, F54T5HO	GKT6106-117	LENS GASKET, 4ft. models
FX5340	BALLAST 120-277V AC 50/60HZ, 2 X 17, F17T8	FX4008	LAMP HOLDER, 17w, 20w, 24w, 32w, 40w & 54w Stationary
FX5340	BALLAST 120-277V AC 50/60HZ, 2 X 32, F32T8	FX4009	LAMP HOLDER, 17w, 20w, 24w, 32w, 40w & 54w Spring
FX5334	BALLAST 120-277V AC 50/60HZ, 2 X 35, F24T12HO	FX4008SET	LAMP HOLDER, (1 ea. FX4008, FX4009)
FX5334	BALLAST 120-277V AC 50/60HZ, 2 X 60, F48T12HO	FX4004	LAMP HOLDER, 35w & 60w Stationary
FX5272	BALLAST 120-277V AC 50/60HZ, 2 X 40 CF, FT40 2G11	FX4005	LAMP HOLDER, 35w & 60w Spring
FX5009	BALLAST 120V 60HZ, 1 x 20, F20T12	FX4004SET	LAMP HOLDER, (1 ea. FX4004, FX4005)
FX5326	BALLAST 120V 60HZ, 1 X 34, F34T12	FX4043	LAMP HOLDER, 40w CF
FX5326	BALLAST 120V 60HZ, 1 x 40, F34T12	FX2175	MATTE POLYCARBONATE LENS (with Gasket), 2ft. models
FX5001	BALLAST 120V 60HZ, 2 x 20, F20T12	FX2177	MATTE POLYCARBONATE LENS (with Gasket), 4ft. models
FX5004	BALLAST 120V 60HZ, 2 X 34, F34T12	FX2163	CLEAR POLYCARBONATE LENS (with Gasket), 2ft. models
FX5004	BALLAST 120V 60HZ, 2 x 40, F34T12	FX2165	CLEAR POLYCARBONATE LENS (with Gasket), 4ft. models
FX5135U	EMERGENCY BATTERY BACKUP BALLAST, EM2/EMT2, 120-277V for T8, T8HO, T12, T12HO & CF	CX1517	CABLE GLAND, 3/4" NPT non metallic
FX5316	EMERGENCY BATTERY BACKUP BALLAST, EM2/EMT2/EM3/EMT3, 120 or 277V for T5 & T5HO	FX2193RED	FILTER TUBE, Red 17w T8
FX5095U	EMERGENCY BATTERY BACKUP BALLAST, EM3/EMT3, 120-277V for T8, T8HO, T12, T12HO & CF	FX2192RED	FILTER TUBE, Red 20w T12
FX3573	LAMP, 14w, F14T5	FX2195RED	FILTER TUBE, Red 32w T8
FX3574	LAMP, 28w, F28T5	FX2194RED	FILTER TUBE, Red 34w T12
FX3568	LAMP, 24w, F24T5HO	FX2192BLU	FILTER TUBE, Blue 20w T12

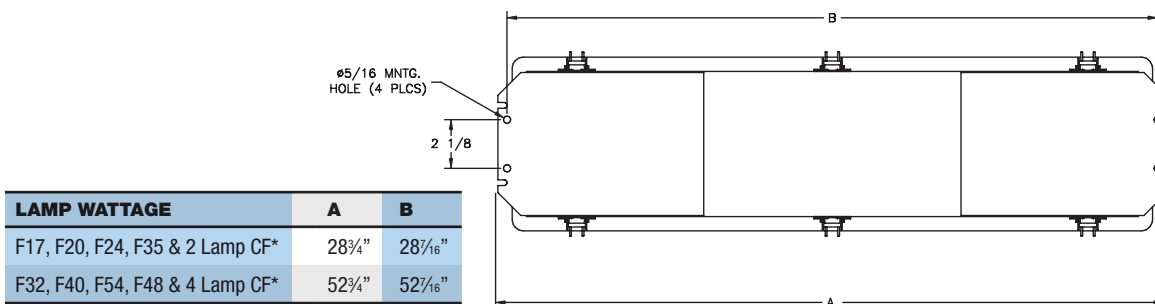
DIMENSIONS



Nominal Length	Dimensions in Inches / Centimeters			Carton W x D x L Inches	Nominal Weight	
	A	B	C		Lbs	Kg
2 Foot	28.8 / 73.7	12.44 / 31.59	7.625 / 19.4	8 $\frac{3}{4}$ x 6 $\frac{1}{4}$ x 31 $\frac{1}{8}$	8.5	3.9
4 Foot	52.8 / 134.6	36.56 / 92.87	7.625 / 19.4	8 $\frac{1}{2}$ x 6 x 56 $\frac{1}{16}$	14	6.4

MOUNTING OPTIONS

Option M - END STYLE MOUNT



LAMP WATTAGE	A	B
F17, F20, F24, F35 & 2 Lamp CF*	28 $\frac{3}{4}$ "	28 $\frac{7}{16}$ "
F32, F40, F54, F48 & 4 Lamp CF*	52 $\frac{3}{4}$ "	52 $\frac{7}{16}$ "

* CF = Compact Fluorescent

MOUNTING KITS

