

# Pro

## ProMax Mesa/al



### FEATURES

- High output luminaire, up to 30,000 raw lumens.
- Fluorescent system provides energy savings up to 50% when compared to HID.
- Third party certified for operation in high ambient temperatures, up to 55°C (131°F).
- Multi voltage electronic ballast resistant to brownouts or voltage and frequency fluctuations.
- Aluminum housing and lens frame.
- One piece neoprene gasket provides a watertight seal.
- Optional high efficiency reflector with up to 95% total reflectivity.
- USDA compliant materials.
- Meets Canadian Process Products Regulations C.R.C., c.291.
- Optional, self contained emergency battery backup ballasts.
- Optional long life T5 lamps available upon request (consult factory).

### APPLICATIONS

- High, mid & low bay
- High pressure hose down areas
- Food & beverage processing facilities
- Freezer and refrigeration
- Waste water treatment plants
- Watertight requirements
- Dusttight requirements
- Pharmaceutical & additive formulation & processing
- Cargo hold areas
- Pulp & paper production
- Salt & potash mines
- Industrial wash bays
- Warehouse/storage facilities
- Corrosive environments

### APPROVALS

- Type 4
- Conforms to IP66
- NSF

### STANDARDS

- UL 924 - Emergency Lighting Equipment
- UL 1598 - Luminaires
- CSA - C22.2 250 04
- Canadian Process Products Regulations C.R.C., c.291
- CSA - C22.2 141
- NSF/ANSI 2-2007 Splash Zone

### TECHNICAL SPECIFICATIONS

#### HOUSING

.062 thick, type 5052H32 aluminum with an electrostatically applied epoxy coated finish.

#### LENS FRAME

Type 6063 aluminum with an electrostatically applied epoxy coated finish.

#### LENS

Acrylic, optional polycarbonate and tempered glass.

#### REFLECTOR

Type 5052H32 aluminum with an electrostatically applied white polyester powder coat finish. Minimum 90% reflectance. High efficiency option, minimum 95% reflectance.

#### GASKET

One piece closed cell neoprene sponge.

#### HINGES

Stainless steel.

#### LAMP HOLDERS

Spring loaded on T5, T5HO and T8HO models. Locking sockets on T8 Bi-Pin models. Engineered plastics, no urea materials.

#### MOUNTING

Direct via end mounting flange.

#### ENTRIES

½" or ¾" NPT feed-through.

#### LAMP TYPES

See Ordering Reference. Lamps not provided.

#### BALLAST

120 to 277 volt 50/60 Hz electronic, optional 347v and 480v.

Lamp Wattage	Ballast/Socket Type	ANSI Lamp Code	Starting Temp	Maximum Ambient*	Supply Wire
17	T8 Bi-Pin G13	F17-T8	0°F/-18°C	55°C	90°C
32	T8 Bi-Pin G13	F32-T8	-20°F / 29°C	55°C	90°C
24/54	T5HO Mini Bi-Pin G5	F24/F54-T5HO	-20°F/-29°C	40°C**	90°C
14/28	T5 Mini Bi-Pin G5	F14/F28-T5	0°F/-18°C	55°C	90°C
44	T8HO RDC R17d	F48-T8HO	-20°F/-29°C	55°C	90°C

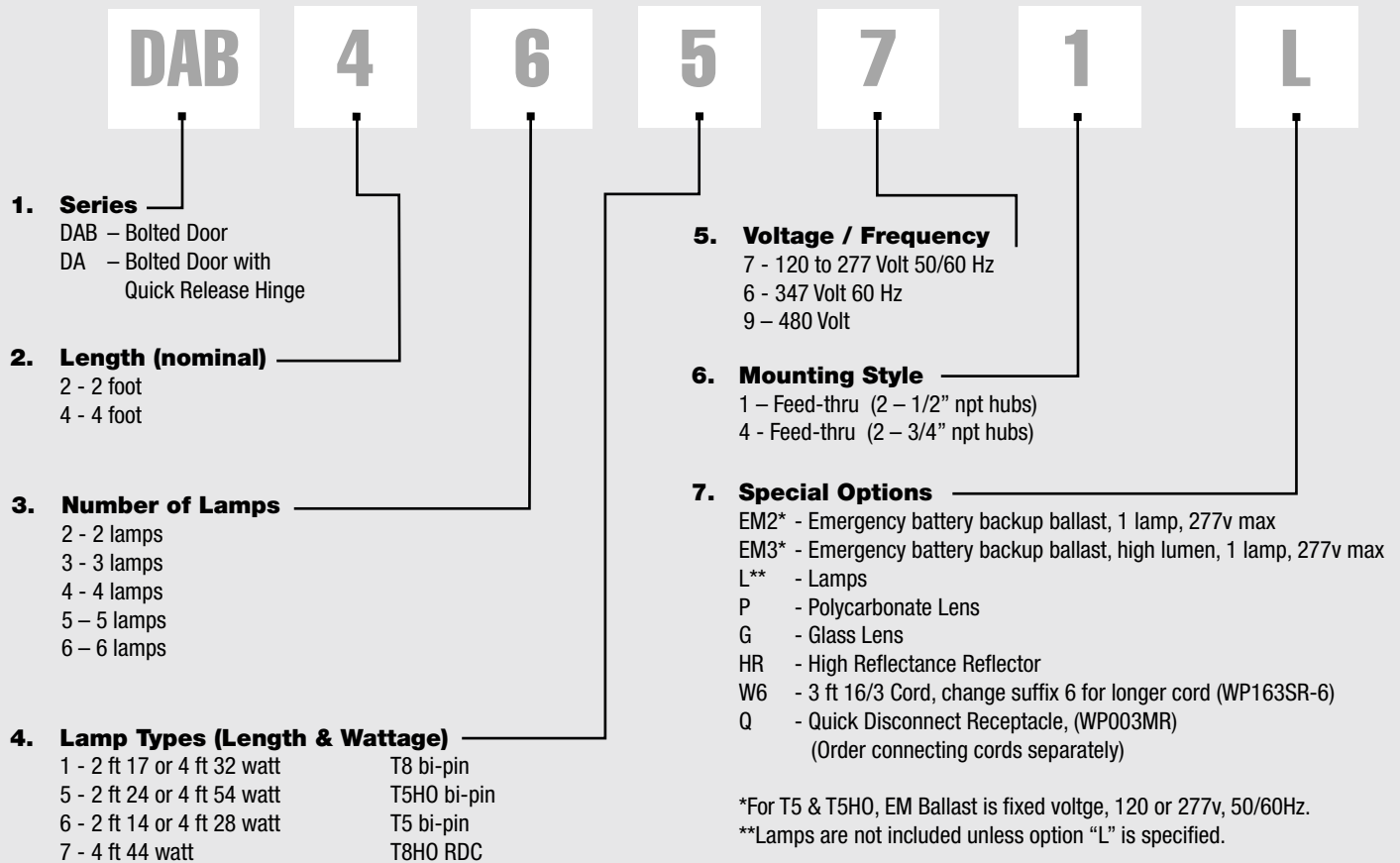
\*Consult factory for optional higher ambient models.

\*\*4 lamp 55°C and 6 lamp 40°C.

#### EMERGENCY BATTERY BACKUP BALLAST

Optional, self contained 90 minute minimum for all lamp types. 120 minutes minimum for F32T8 one lamp. Starting temperature 32°F/0°C.

## ORDERING REFERENCES



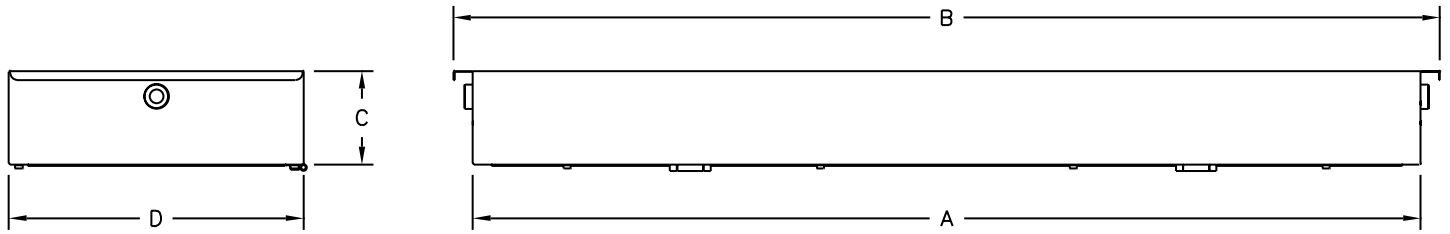
### Notes:

1. Consult factory for options not listed above

## SPARE PARTS

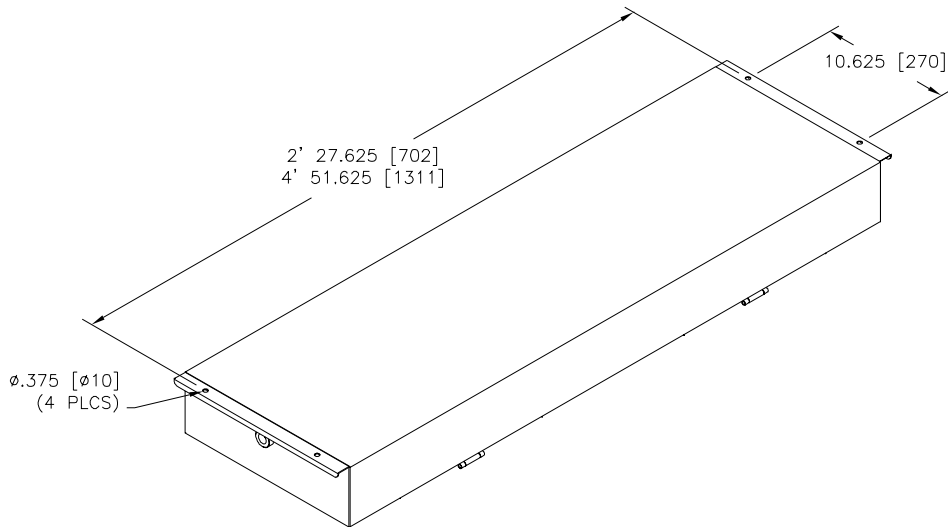
Part No.	Description
FX5350	BALLAST 120-277V AC 50/60HZ, 1 x 14, F14T5
FX5350	BALLAST 120-277V AC 50/60HZ, 1 x 28, F28T5
FX5307	BALLAST 120-277V AC 50/60HZ, 1 x 24, F24T5HO
FX5305	BALLAST 120-277V AC 50/60HZ, 1 x 54, F54T5HO
FX5174	BALLAST 120-277V AC 50/60HZ, 1 x 17, F17T8
FX5221	BALLAST 120-277V AC 50/60HZ, 1 x 32, F32T8
FX5349	BALLAST 120-277V AC 50/60HZ, 1 x 44, F48T8HO
FX5350	BALLAST 120-277V AC 50/60HZ, 2 x 14, F14T5
FX5350	BALLAST 120-277V AC 50/60HZ, 2 x 28, F28T5
FX5307	BALLAST 120-277V AC 50/60HZ, 2 x 24, F24T5HO
FX5305	BALLAST 120-277V AC 50/60HZ, 2 x 54, F54T5HO
FX5340	BALLAST 120-277V AC 50/60HZ, 2 x 17, F17T8
FX5340	BALLAST 120-277V AC 50/60HZ, 2 x 32, F32T8
FX5349	BALLAST 120-277V AC 50/60HZ, 2 x 44, F48T8HO
FX5135U	EMERGENCY BATTERY BACKUP BALLAST, EM2, 120-277v, T8 & T8HO models
FX5195U	EMERGENCY BATTERY BACKUP BALLAST, EM3, 120-277v, T8 & T8HO models
FX5316	EMERGENCY BATTERY BACKUP BALLAST, EM2/EM3, 120 or 277v, T5 & T5HO models
FX3573	LAMP, 14w, F14T5
FX3574	LAMP, 28w, F28T5
FX3568	LAMP, 24w, F24T5HO
FX3567	LAMP, 54w, F54T5HO
FX3528	LAMP, 17w, F17T8
FX3527	LAMP, 32w, F32T8
FX3565	LAMP, 44w, F48T8HO
FX2242	LENS, 4ft. models
FX2241	LENS, 2ft. models
GKT6124-115	GASKET, 4ft. models
GKT6124-69	GASKET, 2ft. models
FX8116SS	HINGES, 4ft. models
FX4064F	LAMP HOLDER, stationary for T5 models
FX4064P	LAMP HOLDER, spring loaded for T5 models
FX4004	LAMP HOLDER, stationary for T8HO models
FX4005	LAMP HOLDER, spring loaded for T8HO models
FX4008	LAMP HOLDER, stationary for T8 models
FX4009	LAMP HOLDER, spring loaded for T8 models

## DIMENSIONS

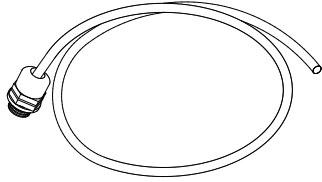


Nominal Length	Dimensions in Inches / Centimeters				Carton L x W x D Inches	Nominal Weight	
	A	B	C	D		Lbs	Kgs
2 Foot	26.59 / 67.5	28.66 / 72.8	5.00 / 12.7	15.72 / 39.9	28 3/4 x 16 3/8 x 7 1/8	21	9.5
4 Foot	50.59 / 128.5	52.66 / 133.7	5.00 / 12.7	15.72 / 39.9	53 x 16 3/8 x 7 1/8	34	15.4

Add 1 lb for 3 or 4 lamps. Add 2 lbs for 5 and 6 lamps.

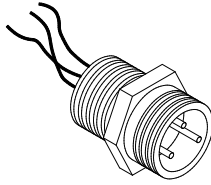


## ACCESSORIES



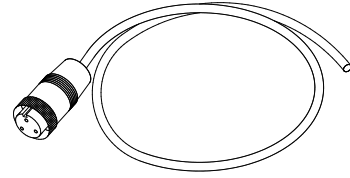
### WP163SR-6

Cord assembly - strain relief connector and 6 feet of #16/3 cable. If longer cable required change suffix "6" to length needed.



### WP003MR

Quick disconnect receptacle. Required when #WP163FP-6 is used.



### WP163FP-6

Cord assembly - molded plug & 6 feet of #16/3 cable. If longer cable required change suffix "6" to length needed.

## OCCUPANCY SENSOR KIT

Example: HBOS 35 M S

1. Series

HBOS

2. Voltage

33 – 208/240 VAC

34 – 347/480 VAC

35 – 120/277 VAC

3. Lens Type

N – Narrow Linear Pattern Aisle Way Lens

M – Medium range 24 ft coverage, 20 ft mounting height

W – Wide range 68 ft coverage, 40 ft mounting height

4. Extension Attachment Material

A – Aluminum

S – Stainless Steel

