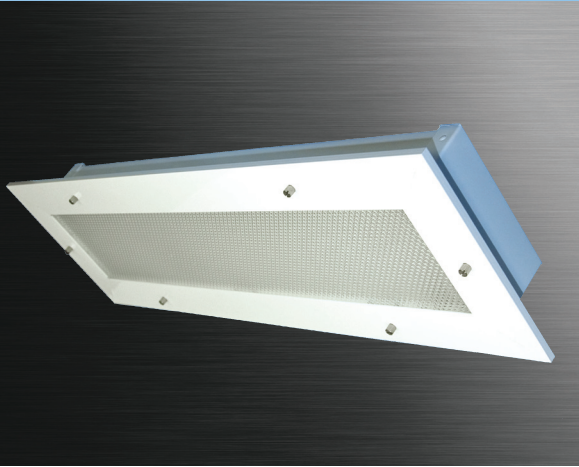


# Pro

## ProRec

### Meridian FRS/ml



#### FEATURES

- Multi voltage electronic ballast resistant to brownouts or voltage and frequency fluctuations.
- Low profile design.
- Tool-less entry and hinged lens frame for easy relamping.
- Filter tube options allow colored lamps to operate on a separate circuit for darken ship mode.
- Three and four lamp models are provided with two ballasts for independent switching or color effects.
- Optional self contained emergency battery backup ballasts with test switch.
- Optional long life T5 lamps available upon request (consult factory).

#### APPLICATIONS

- Recessed mount
- Marine interior
- Pilot house
- State room
- Office
- Corridor/passageway
- Galley

#### APPROVALS

- Conforms to IP52
- Marine Inside Drip Proof Type
- ABS

#### STANDARDS

- UL 1598A - Luminaires for Marine Vessels
- UL 924 - Emergency Lighting Equipment

#### TECHNICAL SPECIFICATIONS

##### HOUSING

Type 5052H32 aluminum with an electrostatically applied polyester power coat finish.

##### LENS FRAME

Type 6063T6 aluminum with an electrostatically applied polyester powder coat finish.

##### LENS

Flat prismatic DR acrylic. Optional, flat white or prismatic dropdish.

##### REFLECTOR

Type 5052H32 aluminum with an electrostatically applied white polyester powder coat finish. Minimum 90% reflectance.

##### ENTRIES

1/2" and 3/4" NPT knockouts at each end.

##### LAMP HOLDER

High temperature PBT locking sockets.

##### MOUNTING

Recessed ceiling type. See drawings for details.

##### TERMINAL BLOCK

Internal 3 pole.

##### BALLAST

120 to 277 volt 50/60 Hz electronic.

Lamp Wattage	Ballast/Socket Type	ANSI Lamp Code	Starting Temp	Maximum Ambient*	Supply Wire
17	T8 Bi-Pin G13	F17-T8	0°F / -18°C	55°C	90°C
32	T8 Bi-Pin G13	F32-T8	-20°F / -29°C	55°C	90°C
14/28	T5 Mini Bi-Pin G5	F14/F28-T5	0°F / -18°C	55°C	90°C
24/54	T5HO Mini Bi-Pin G5	F24/F54-T5HO	-20°F / -29°C	55°C	90°C

\*Consult factory for optional higher ambient models.

##### EMERGENCY BATTERY BACKUP BALLAST

Optional, self contained 90 minute minimum for all lamp types. 120 minutes minimum for F32T8 one lamp. Starting temperature 32°F/0°C.

## ORDERING REFERENCES

PART NUMBER	DESCRIPTION	LAMP TYPE	NO. LAMPS/ NOMINAL LAMP WATTAGE	WEIGHT LBS	PART NUMBER	DESCRIPTION	LAMP TYPE	NO. LAMPS/ NOMINAL LAMP WATTAGE	WEIGHT LBS
FRS214J	2 ft	F14T5	2 x 14w	8.0	FRS228J	4 ft	F28T5	2 x 28w	12.0
FRS314J	2 ft	F14T5	3 x 14w	13.5	FRS328J	4 ft	F28T5	3 x 28w	20.0
FRS414J	2 ft	F14T5	4 x 14w	14.0	FRS428J	4 ft	F28T5	4 x 28w	20.5
FRS217J	2 ft	F17T8	2 x 17w	8.0	FRS232J	4 ft	F32T8	2 x 32w	12.0
FRS317J	2 ft	F17T8	3 x 17w	13.5	FRS332J	4 ft	F32T8	3 x 32w	20.0
FRS417J	2 ft	F17T8	4 x 17w	14.0	FRS432J	4 ft	F32T8	4 x 32w	20.5
FRS224J	2 ft	F24T5HO	2 x 24w	8.0	FRS254J	4 ft	F54T5HO	2 x 54w	12.0
FRS324J	2 ft	F24T5HO	3 x 24w	13.5	FRS354J	4 ft	F54T5HO	3 x 54w	20.0
FRS424J	2 ft	F24T5HO	4 x 24w	14.0	FRS454J	4 ft	F54T5HO	4 x 54w	20.5

## SPECIAL OPTIONS

- EMT2\* - Emergency Battery Backup Ballast, 1 lamp, 277v max, test switch
- EMT3\* - Emergency Battery Backup Ballast, high lumen, 1 lamp, 277v max, test switch
- L\*\* - Lamp
- LL\*\* - Long Life Lamps (F54T5HO only)
- H - Dropdish Prismatic Lens (Replace suffix J)
- E - Flat White Lens (Replace suffix J)
- RV-1\*\*\* - Red Filter Tube with separate ballast, 1 lamp (Not available in 24/54w)
- RV - Red Filter Tube, all lamps (Not available in 24/54w)
- BV-1\*\*\* - Blue Filter Tube with separate ballast, 1 lamp (Not available in 24/54w)
- BV - Blue Filter Tube, all lamps (Not available for 24/54w)
- YV-1\*\*\* - Yellow Filter Tube with separate ballast, 1 lamp (Not available in 24/54w)
- YV - Yellow Filter Tube, all lamps (Not available in 24/54w)

\*For T5 & T5HO, EM Ballast is fixed voltage, 120 or 277v, 50/60Hz.

\*\*Lamps are not included unless option "L" or "LL" is specified.

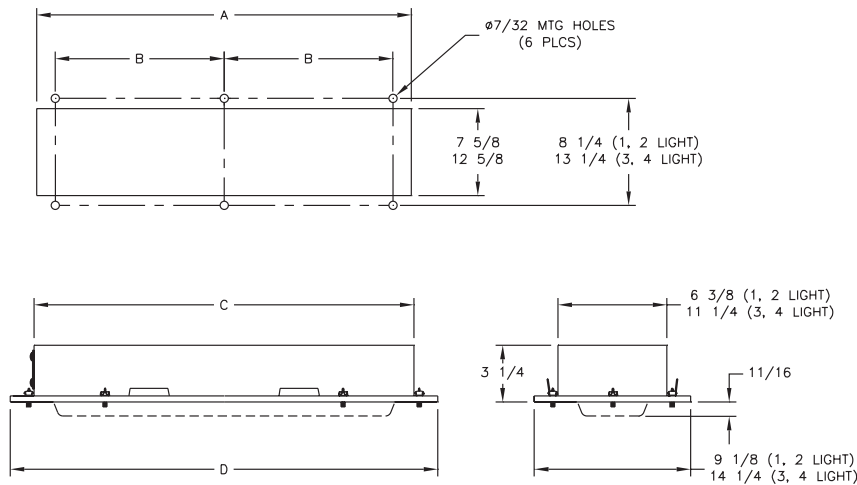
\*\*\*Not available on 2 ft, 2 lamp modles when EMT2/EMT3 option is specified.

# ProRec Meridian FRS/ml

## SPARE PARTS

Part No.	Description		
FX5350	BALLAST 120-277V AC 50/60HZ, 1 x 14	FX3568	LAMP, 24w, F24T5HO
FX5174	BALLAST 120-277V AC 50/60HZ, 1 x 17	FX3574	LAMP, 28w, F28T5
FX5307	BALLAST 120-277V AC 50/60HZ, 1 x 24	FX3527	LAMP, 32w, F32T8
FX5350	BALLAST 120-277V AC 50/60HZ, 1 x 28	FX3567	LAMP, 54w, F54T5HO
FX5221	BALLAST 120-277V AC 50/60HZ, 1 x 32	FX2034	LENS, One/Two Lamp, for 2ft. models
FX5305	BALLAST 120-277V AC 50/60HZ, 1 x 54	FX2035	LENS, Three/Four Lamp, for 2ft. models
FX5350	BALLAST 120-277V AC 50/60HZ, 2 x 14	FX2036	LENS, One/Two Lamp, for 4ft. models
FX5340	BALLAST 120-277V AC 50/60HZ, 2 x 17	FX2037	LENS, Three/Four Lamp, for 4ft. models
FX5307	BALLAST 120-277V AC 50/60HZ, 2 x 24	FX4068	LAMP HOLDER, Twist Lock
FX5350	BALLAST 120-277V AC 50/60HZ, 2 x 28	FX4064F	LAMP HOLDER, Stationary T5
FX5340	BALLAST 120-277V AC 50/60HZ, 2 x 32	FX4064P	LAMP HOLDER, Spring Loaded T5
FX5305	BALLAST 120-277V AC 50/60HZ, 2 x 54	FX3001	TERMINAL BLOCK, 2 Pole
FX3573	LAMP, 14w, F14T5	CX3070	TERMINAL BLOCK, 4 Pole
FX3528	LAMP, 17w, F17T8	FX2193RED	FILTER TUBE, Red 17w T8
		FX2195RED	FILTER TUBE, Red 32w T8

## DIMENSIONS



Dimensions in inches

	A	B	C	D
14w, 17w, 20w, 24w	27 <sup>3</sup> / <sub>4</sub> "	10"	26 <sup>1</sup> / <sub>2</sub> "	29 <sup>1</sup> / <sub>8</sub> "
28w, 32w, 40w, 54w	51 <sup>3</sup> / <sub>4</sub> "	20"	50 <sup>1</sup> / <sub>2</sub> "	53 <sup>1</sup> / <sub>8</sub> "

NOTES