

Pro

ProSurf

Meridian F1143/ml



FEATURES

- Low profile design.
- Choice of corrosion resistant marine brass or copper free aluminum housings.
- Tool-less entry for easy relamping.
- Impact resistant polycarbonate lens.
- Prismatic lens minimizes glare.

APPLICATIONS

- Marine interior
- State room
- Corridors/passageway
- Amenities

APPROVALS

- Conforms to IP52
- Marine Inside Drip Proof Type
- ABS

STANDARDS

- UL 1598A - Luminaires for Marine Vessels

TECHNICAL SPECIFICATIONS

HOUSING

Type 5052H32 aluminum with an electrostatically applied wrinkle black polyester powder coat finish or marine brass with an electrostatically applied dark bronze polyester powder coat finish.

LENS

Clear prismatic polycarbonate.

REFLECTOR

Type 5052H32 aluminum with an electrostatically applied white polyester powder coat finish. Minimum 90% reflectance.

GASKETS

One piece neoprene.

ENTRIES

One 3/4" NPT knockout. See DIMENSIONS for details.

LAMP TYPE

Two 2PING24D 18w or 26w compact fluorescent PL types. Lamps not provided.

LAMP HOLDER

Compact fluorescent 2 Pin polycarbonate.

MOUNTING

Ceiling type. Fits a 4 inch stamp steel or cast junction box. See DIMENSIONS for details.

BALLAST

120v 60Hz ballast. Optional 220v 60Hz or 277v 60Hz.

ORDERING REFERENCES

PART NUMBER	HOUSING	LAMP WATTAGE	WEIGHT LBS
F1143A-18	Aluminum	18w	6.0
F1143A-26	Aluminum	26w	6.0
F1143B-18	Brass	18w	9.0
F1143B-26	Brass	26w	9.0

SPECIAL OPTIONS

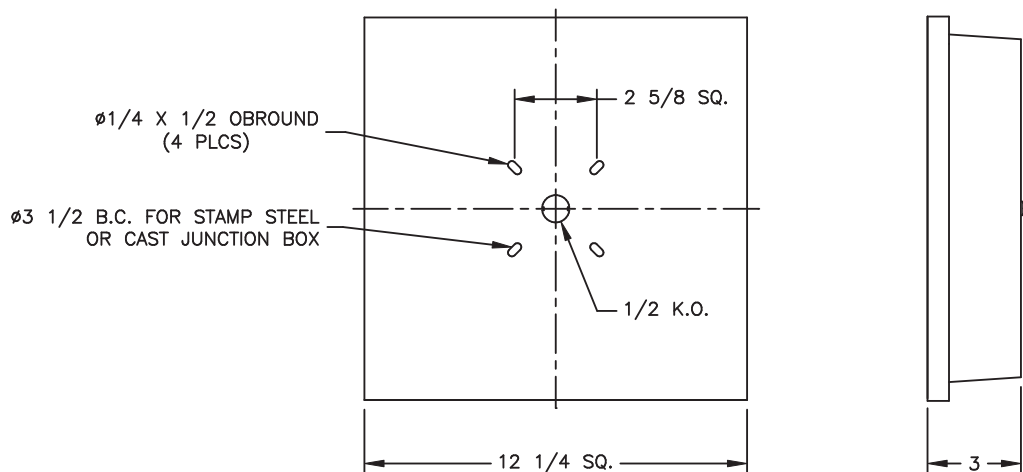
-226 -220v 60Hz
 -276 -277v 60Hz
 L* -Lamps

*Lamps are not included unless option "L" is specified.

SPARE PARTS

Part No.	Description
FX5193	BALLAST, 18w
FX5171	BALLAST, 26w
FX3525	LAMP, 18w
FX3538	LAMP, 26w
FX4033	LAMP HOLDER, 18w
FX4052	LAMP HOLDER, 26w
INX2182-1	LENS, Polycarbonate

DIMENSIONS



Dimensions in inches