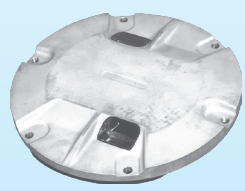


PRO III™ RCL/TDZ



Runway Centerline Light or Touchdown Zone Light

Compliances: FAA AC 150/5345-46: L-850A; L-850B
USN NAVAIR 51-50AAA-2
Transport Canada Specification K 271: Fig B5 and B8
UFC 3-535-01



RCL / TDZ 12"
1 Piece 12" Fixture

Applications

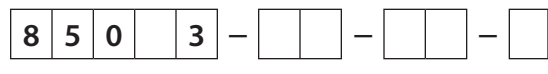
The RCL/TDZ light does double duty as a runway centerline light and touchdown zone light. The RCL is a bidirectional light, typically clear/clear or clear/red, with two 48 W lamps. The TDZ is a clear unidirectional light, with a 48 W lamp. RCL/TDZ may be used for any category FAA or military runway.

Features



- ETL Certified
- Low Profile, < .25" (6mm) – FAA Style 3
- High-strength aluminum optical assembly
- Low Power Consumption
- Few Parts to Stock
- Beam Orientation can be easily changed to left or right toe-in
- Easy to maintain – no sealant required for prism or feed-through assembly replacement
- Pressure test plug for seal integrity verification
- Long Lamp Life – Quartz Halogen, 48 W

Ordering Information



Fixture Type:
A = Runway centerline light
B = Touchdown zone light

Color Filters:
CC = Clear/Clear (L-850A)
CR = Clear/Red (L-850A)
RX = Red/Blank (L-850A)
C = Clear (L-850B)
CX = Clear/Blank

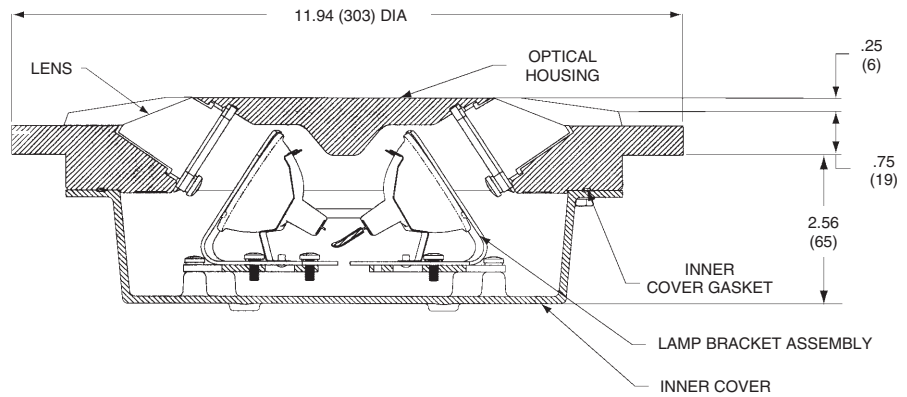
L-823 Plug Connection:
P1 = One plug
P2 = Two plugs (L-850A only)

Beam Orientation (L-850B only):
L = Left Toe-in
R = Right Toe-in
S = Straight

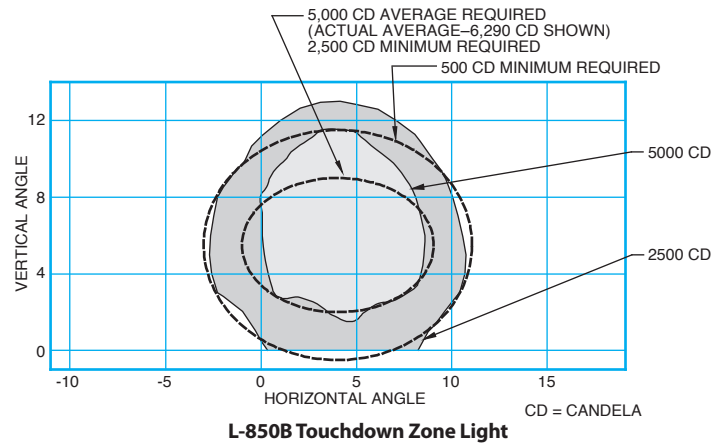
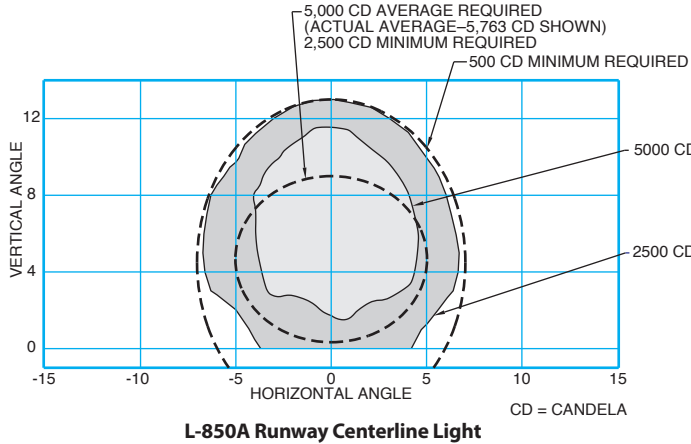
Note: "S" Beam Orientation not certified under FAA

Outline Drawings

Dimensions:	inches (mm)
Instruction Manual:	2404
Shipping Weight:	16.0 lbs 7.3 kg
Shipping Volume:	0.7 cu ft 0.02 m ³



Typical Photometric Data



Accessories

Catalog Number	Item Description	Catalog Number	Item Description
AC24242H200303	Base: L-868B, Class I, 24" Deep	823KP-D4-D4	Connector Kit – L-823, 8 AWG, .32" to .43" O.D.
33001	Isolation Transformer – 45 W, 6.6/6.6 A	10047-2154	Heat Shrink Kit – 1 Piece
33004	Isolation Transformer – 100 W, 6.6/6.6 A	10047-1425	Heat Shrink Kit – 2 Piece
33005	Isolation Transformer – 100 W, 20/6.6 A		

Renewal Parts

Part Number	Description	Part Number	Description
21116	Lamp – 48 W, 6.6 A	21121	Feed-through Assembly – 2 Lamp, 1 Connector
21126-C	Lens Replacement Kit – Clear	21122	Feed-through Assembly – 1 Lamp, 1 Connector
21126-R	Lens Replacement Kit – Red	10048-25	Gasket Lubricant – 5.3 oz Container
21140	Gasket – Bottom Cover		

Note:

1. Lens Replacement Kit includes lens, lens boot, lens retaining gasket, gasket lubricant, and lens retaining bracket and screws.

