

STATIC CONVERTER type SC

*Aircraft Electric Frequency Converter type SC
28Vdc current output*



- *Multipurpose unit*
- *Adjustable voltage*
- *High manoeuvrability*

Main characteristics

Input current	50-60Hz / 400V three phases
Output voltage	Adjustable 12-30 Vdc
Noise level	< 58db @ 1m
Maximum towing speed	10 km/h

Characteristics across the range

Model	Power	Rated current	Overloads	Weight kg
SC10	10 kW	350 A	1300 A	300
SC15	15 kW	500 A	1500 A	320
SC20	20 kW	600 A	2000 A	350



GUINAULT SA
PAOS La Saussaye
F - 45590 Saint-Cyr en Val
Tél : +33 (0) 2 38 63 84 00
Fax : +33 (0) 2 38 69 66 22
www.guinault.com



Power input

- Input current: 50Hz-60Hz / 400V± 10% three phases
- Power cable of length 15m – delivered without plug
- Current input :
 - SC10 : 22A
 - SC15 : 30A
 - SC20 : 34A

Power output

- 28Vdc direct current – adjustable from 12 to 30Vdc
- transformer with 6 thyristors at the secondary + double filtering self
- Adjustable output current limitation
- Automatic line drop compensation 28Vdc ± 1V at I_N

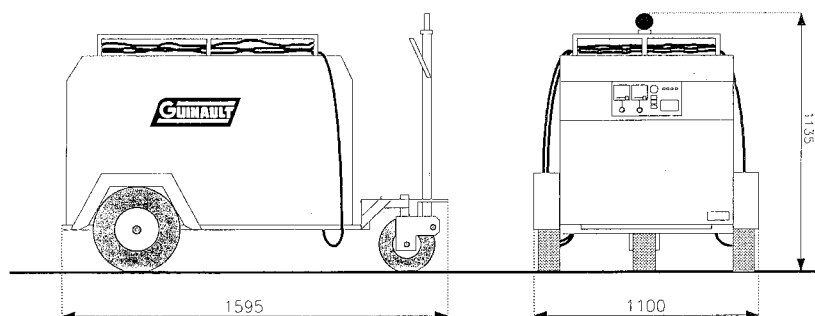
Safeties - Securities

- Over and under voltage
- Overloads
- Electrical failure

Outputs

- one 28Vdc cable - length 10m with standard plug STANAG 3302

Dimensions



Main assembly

- Trailer mounted unit – 3 wheels
- Tow bar equipped with eyelet
- Low pressure pneumatic tyres
- Cable storage roof rack (on top of unit)

Options

- Converter mounted on trailer or fixed cabinet
- Coupling of various converters to increase capacity

Operation - Performances

- Standard operating temperature : -15°C to +45°C
- Transients and modulation better than EN2282 standards and AIR2021E
- Global ripple voltage at 450A 28Vdc < 0,5V RMS
- Indoor and outdoor use



PAOS La Saussaye
F - 45590 Saint-Cyr en Val
Tél : +33 (0) 2 38 63 84 00
Fax : +33 (0) 2 38 69 66 22

info@guinault.com