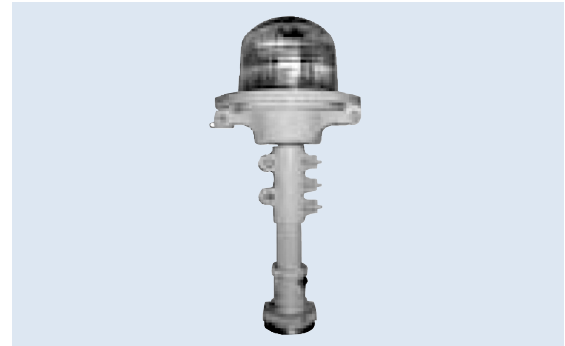


TEL-5

Medium Intensity Runway Threshold/End Light

Compliances:
FAA AC 150/5345-46: L-861SE



Applications

The TEL-5 is intended to enhance the visibility of thresholds on medium intensity runways that do not have approach lighting.

Features

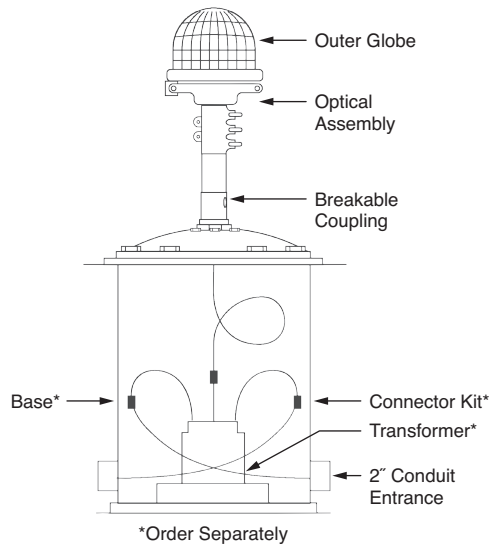


- ETL Certified
- L861SE Fixture with 120W lamp
- Requires no tools to relamp - fixture hinges open for lamp access and ease, and is held shut by a spring clip
- Easy to level - unique swivel design allows fixture to be leveled by loosening and tightening one exterior fastener
- Easy to change filters - twist in place
- 300 MPH wind tested
- Modular design
- Utilizes 6.6 amp quartz bi-pin lamp
- Die-cast aluminum housing, painted yellow
- Available in heights 14 inches to 30 inches
- Standard 2" Threaded Frangible Coupling

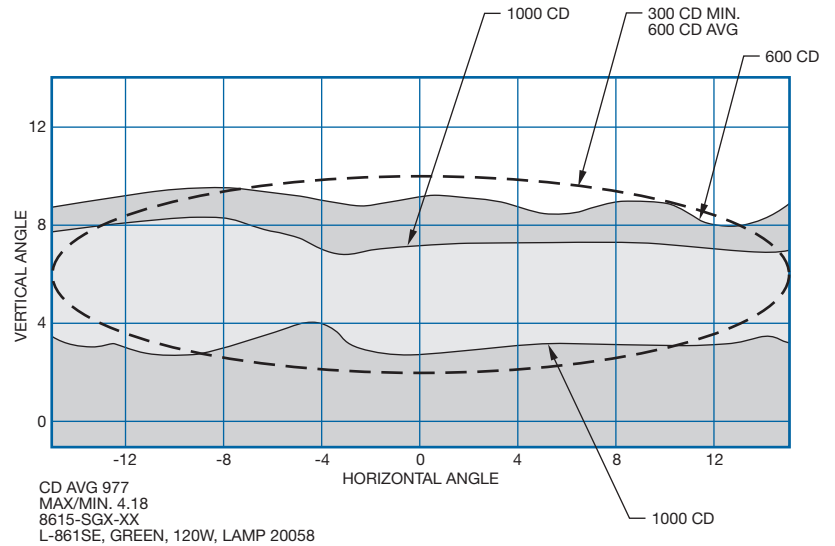
Ordering Information

	8	6	1	5	-	S		-		-	
Fixture Type:											
Model 5:											
Type S:											
Beam Color & Type:											
	GX = Green/Blank										
	GR = Green/Red										
Height in Inches:											
	Standard Height = 14 inches										
	Available in 2-inch increments to 30 inches maximum										
Options:											
	1 = 1.5"-12 UNF threaded aluminum frangible coupling										
	3 = Level adjustment lever in place of standard hex socket cap screw										
	EX = Extra strength fixture for high wind and heavy snow areas. This option replaces the standard frangible coupling, housing column, and clamps with extra strength components.										

Outline Drawing



Typical Photometric Data



Accessories

Description	Catalog Number	Shipping Weight lb.	Shipping Weight kg.	Shipping Volume cu.ft.	Shipping Volume cu.m.
Base L-867, Class I, 24" Deep	AC21242H200301	52	23.6	2.6	0.074
Baseplate, 1.5" Hub, Painted Steel	AP1935	8	3.6	0.14	0.004
Baseplate, 2" Hub, Painted Steel	AP1932	8	3.6	0.14	0.004
Connector Kit L-823, 8 AWG Stranded, 0.32" to 0.43" O.D.	823KP-D4-D4				
Leveling Fixture	50359				
Transformer, 100 W, 6.6/6.6A	33004	8.6	3.9	0.3	0.009

Renewal Parts

Description	Part Number	Description	Part Number
Clear Outer Globe	50376-C	Frangible Coupling 2" Aluminum—EX Option	60683-E
Clear/Blank Outer Globe	50376-C/X	Globe Gasket	40989
Filter Gasket	50351	Green Inner Filter	50360-G
Filter Spring	50366	Lamp, 120W, 6.6A, Bi-Pin	20058
Frangible Coupling 1.5"	50186	Red Inner Filter	50360-R
Frangible Coupling 2" Aluminum	50184		

Instruction Sheet: 2121 (standard fixtures)
2325 (-EX fixtures)

Shipping Weight: 4.5 lbs.
2.0 kg.

Shipping Volume: 0.31 cu. ft.
.009 cu. m.

