

XPF

XPFBeacon EPB/EPC/EPP/al



FEATURES

- 75 RPM rotating reflector. Suitable for intermittent operation.
- Neoprene gasket resists petroleum and provides a watertight seal.
- Protective guard available.
- Heat and impact resistant tempered glass in clear, yellow, green, red or blue.
- Rugged cast design for high abuse areas.

APPLICATIONS

- Class I Division 1 explosive atmospheres
- Ceiling, pendant and wall mounting types
- Warning indication
- High ambient noise environments
- Oil and gas exploration and production
- Marine and watertight requirements
- Petrochemical facilities
- Paint and formulation facilities
- Aircraft fueling and maintenance areas
- Fuel dispensing facilities

APPROVALS

- Class I Divisions 1 & 2 Groups C & D
- Type 4X
- Conforms to IP66
- ABS

STANDARDS

- UL 844 - Hazardous Locations
- UL 1598A - Luminaires for Marine Vessels
- UL 1638 - Marine Visual Signaling Device
- CSA - C22.2 137-M1981

TECHNICAL SPECIFICATIONS

HOUSING

Cast copper free aluminum.

GUARD

Optional, cast copper free aluminum.

REFLECTOR

Highly specular aluminum.

HARDWARE

Stainless steel.

ENTRIES

One 1/2" NPT. Up to 3/4" NPT four way available. See ENTRY OPTIONS for selections.

GASKET

One piece neoprene.

MOUNTING

For vertical mounting. Lamp base up or down.

GLOBE

Clear tempered glass. Optional colored: red, blue, green or yellow.

LAMP TYPE

100w quartz halogen, provided.

VOLTAGE

120v 50/60Hz. Optional 12v DC or 240v 50/60Hz. See SPECIAL OPTIONS for details.

TEMPERATURE CODE

Rated T3 at 40°C ambient.

ORDERING REFERENCES

PART NUMBER	DESCRIPTION	WEIGHT LBS
EPC7004A	Ceiling Mount	9.0
EPP7004A	Pendant Mount	8.0
EPB7004A	Wall Mount	11.5

SPECIAL OPTIONS

- 5 - 12v DC
- 4 - 240v 50/60Hz
- RED - Red Lens
- BLU - Blue Lens
- GRN - Green Lens
- YEL - Yellow Lens
- GRD - Guard

ENTRY OPTIONS

Wall and Ceiling Types

NPT Trade Size	Dead End	Thru Feed	90 Degree	X-Positions
1/2"	Std.	C1	L1	X1
3/4"	E2	C2	L2	X2

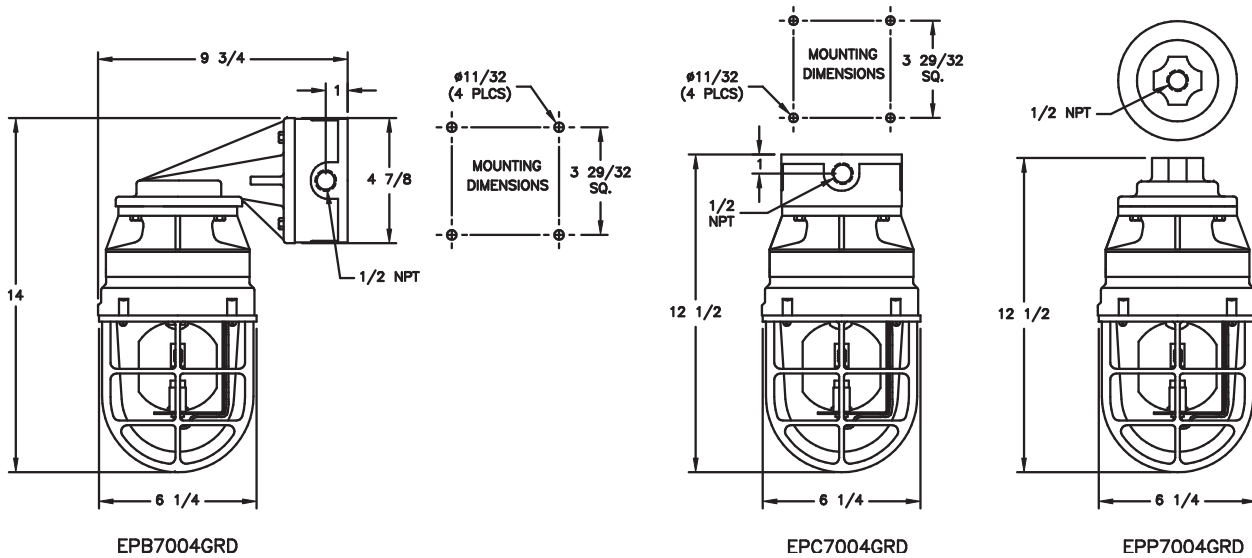
Pendant Type

NPT Trade Size	Dead End
1/2"	Std.
3/4"	E2

SPARE PARTS

Part No.	Description
INX1005A	GUARD
INX3345	MOTOR, 120v AC 50/60Hz
INX3345-4	MOTOR, 240v AC 50/60Hz
INX3345-5	MOTOR, 12v DC
INX4011	LAMP HOLDER
INX9012A	GLOBE ASSEMBLY, Clear
INX9012ARED	GLOBE ASSEMBLY, Red
INX9012ABLU	GLOBE ASSEMBLY, Blue
INX9012AGR	GLOBE ASSEMBLY, Green
INX9012AYEL	GLOBE ASSEMBLY, Yellow
INX3629	LAMP, 100w Quartz Halogen 120v AC
INX3680	LAMP, 100w Quartz Halogen 240v AC
INX3671	LAMP, 100w Quartz Halogen 12v DC

DIMENSIONS



Dimensions in inches