

XPF

XPFGuard EP/al



FEATURES

- Available in 100w and 200w incandescent or 18w, 26w and 32w compact fluorescent.
- Field replaceable, factory sealed globe assembly.
- Heat and impact resistant clear glass globe.
- Neoprene gaskets resist petroleum and provide a watertight seal.
- Available without reflector, with shallow dome reflector or 30° angled reflector.
- Protective guard provided.
- Optional colored globes available.

APPLICATIONS

- Class I Division 1 explosive atmospheres
- Ceiling, pendant and wall mount types
- Aircraft fueling & maintenance areas
- Oil and gas exploration and production
- Fuel dispensing facilities
- Marine and watertight requirements
- Pipeline compressor/pumping & storage
- Alcohol formulation, blending & storage
- Paint & formulation facilities
- Petrochemical facilities

APPROVALS

- Class I Divisions 1 & 2 Groups C & D
- Type 4X
- Conforms to IP66
- Marine Outside Type Saltwater
- ABS

STANDARDS

- UL 844 - Hazardous Locations
- UL 1598A - Luminaires for Marine Vessels
- CSA - C22.2 No. 137-M1981

TECHNICAL SPECIFICATIONS

HOUSING

Cast copper free aluminum.

GUARD

Cast copper free aluminum.

HARDWARE

Stainless steel.

ENTRIES

Standard one 1/2" NPT outlet. Up to 3/4" NPT four way available. See ENTRY OPTIONS for selections.

GASKET

One piece neoprene.

MOUNTING

Ceiling, pendant or wall. Intended for lamp base-up mounting.

LAMP HOLDER

Medium base, high temperature PBT. Nickel plated copper screw shell. Shockproof optional. Compact fluorescent polycarbonate.

GLOBE

Clear tempered glass, optional colored globes: blue, green red or yellow.

REFLECTOR

Optional 30° angled or shallow dome Acrylonitrile Butadiene Styrene (ABS), gloss white.

LAMP TYPE

A-19 incandescent, A-21 incandescent or 4 Pin compact fluorescent. Lamp not provided.

VOLTAGE

Incandescent rated to 250v.

Compact fluorescent rated to 120v 50/60Hz, optional 277v 50/60Hz.

TERMINAL BLOCK

Optional 4 pole, incandescent models only.

TEMPERATURE CODES

At 40°C ambient temperature.

Lamp Wattage	Globe Color	T-Code	Supply Wire
100w	Clear	T4	60°C
200w	Clear	T3B	125°C
200w	Colored	T2D	105°C
18/26/32w	Clear	T6	75°C
18/26/32w	Colored	T2D	105°C

ORDERING REFERENCES

PART NUMBER	DESCRIPTION	LAMP MAX	WEIGHT LBS
EPB46A	Wall Mount without Reflector	A-19 100w	10.9
EPB47A	Wall Mount without Reflector	A-21 200w	11.6
FEPB47A-#	Wall Mount without Reflector	CF	11.8
EPB48A	Wall Mount with 30° Angled Reflector	A-19 100w	12.0
EPB49A	Wall Mount with 30° Angled Reflector	A-21 200w	12.7
FEPB49A-#	Wall Mount with 30° Angled Reflector	CF	12.9
EPC30A	Ceiling Mount without Reflector	A-19 100w	8.0
EPC31A	Ceiling Mount without Reflector	A-21 200w	8.8
FEPC31A-#	Ceiling Mount without Reflector	CF	9.0
EPC34A	Ceiling Mount with Shallow Dome Reflector	A-19 100w	8.6
EPC35A	Ceiling Mount with Shallow Dome Reflector	A-21 200w	10.0
FEPC35A-#	Ceiling Mount with Shallow Dome Reflector	CF	10.2
EPC36A	Ceiling Mount with 30° Angled Reflector	A-19 100w	9.2
EPC37A	Ceiling Mount with 30° Angled Reflector	A-21 200w	10.0
FEPC37A-#	Ceiling Mount with 30° Angled Reflector	CF	10.2
EPP38A	Pendant Mount without Reflector	A-19 100w	7.3
EPP39A	Pendant Mount without Reflector	A-21 200w	8.0
FEPP39A-#	Pendant Mount without Reflector	CF	8.2
EPP42A	Pendant Mount with Shallow Dome Reflector	A-19 100w	7.8
EPP43A	Pendant Mount with Shallow Dome Reflector	A-21 200w	9.2
FEPP43A-#	Pendant Mount with Shallow Dome Reflector	CF	9.4
EPP44A	Pendant Mount with 30° Angled Reflector	A-19 100w	8.4
EPP45A	Pendant Mount with 30° Angled Reflector	A-21 200w	9.2
FEPP45A-#	Pendant Mount with 30° Angled Reflector	CF	9.5

Enter compact fluorescent (CF) wattage desired: 18, 26 or 32.

SPECIAL OPTIONS

- SP - Shockproof Lamp Holder
- T* - Terminal Block (4 pole)
- B - Blue Globe (For 200w & CF)
- G - Green Globe (For 200w & CF)
- R - Red Globe (For 200w & CF)
- Y - Yellow Globe (For 200w & CF)
- 276** - 277v 60Hz

*Available on incandescent wall & ceiling models only.

** Available on compact fluorescent models only.

ENTRY OPTIONS

Wall and Ceiling Versions

NPT Trade Size	Dead End	Thru Feed	90 Degree	X-Positions
1/2"	Std.	C1	L1	X1
3/4"	E2	C2	L2	X2

Pendant Version

NPT Trade Size	Dead End
1/2"	Std.
3/4"	E2

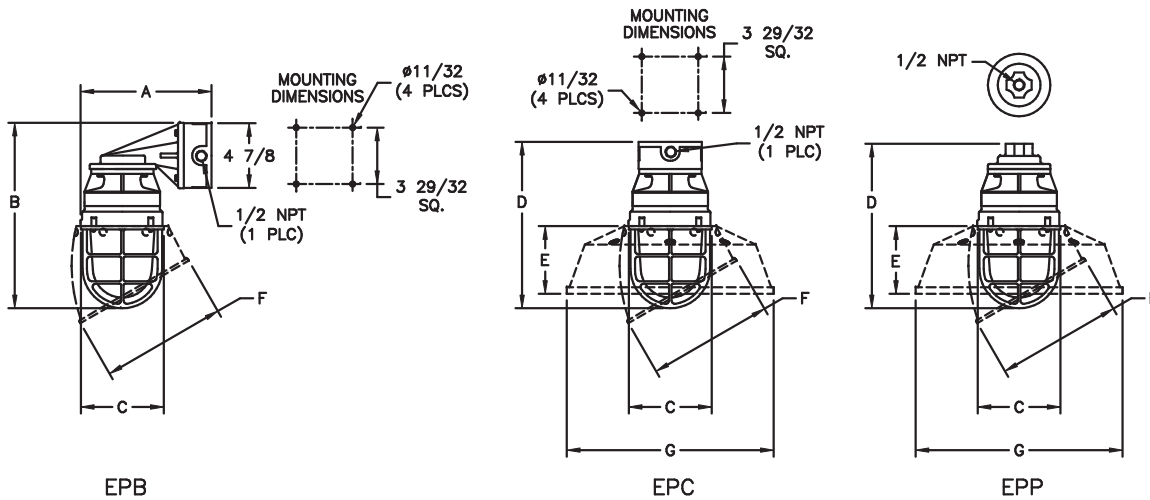
XPFGuard **EP/al**

SPARE PARTS

Part No.	Description		
INX3528	LAMP, Incandescent, 100w	INX4540	REFLECTOR, 200w Angled
INX3557	LAMP, Incandescent, 200w	INX4000	LAMP HOLDER, Incandescent
FX3552	LAMP, Compact Fluorescent, 18w	FX4030	LAMP HOLDER, Compact Fluorescent, 18w
FX3553	LAMP, Compact Fluorescent, 26w	FX4034	LAMP HOLDER, Compact Fluorescent, 26w/32w
FX3554	LAMP, Compact Fluorescent, 32w	FX5206	BALLAST, 120VAC 50/60Hz
INX1004A	GUARD, 100w	FX5242	BALLAST, 277VAC 50/60Hz
INX1005A	GUARD, 200w	INX9005A	GLOBE ASSEMBLY, 100w
INX4543	REFLECTOR, 100w Shallow	INX9012A	GLOBE ASSEMBLY, *200w
INX4538	REFLECTOR, 100w Angled		
INX4556	REFLECTOR, 200w Shallow		

*200w only - for colored globe add suffix to end of Globe Assembly part number.
Blank - Clear B - Blue Globe G - Green Globe R - Red Globe Y - Yellow Globe

DIMENSIONS



Dimensions in inches

	A	B	C	D	E	F	G
60-100w	9 3/8	12 1/4	5 3/4	11 1/4	2 3/4	Ø10 3/8	Ø12 1/2
100-200w & CF	9 3/4	14	6 1/4	12 1/2	4 5/8	Ø12 1/2	Ø16 3/8

NOTES